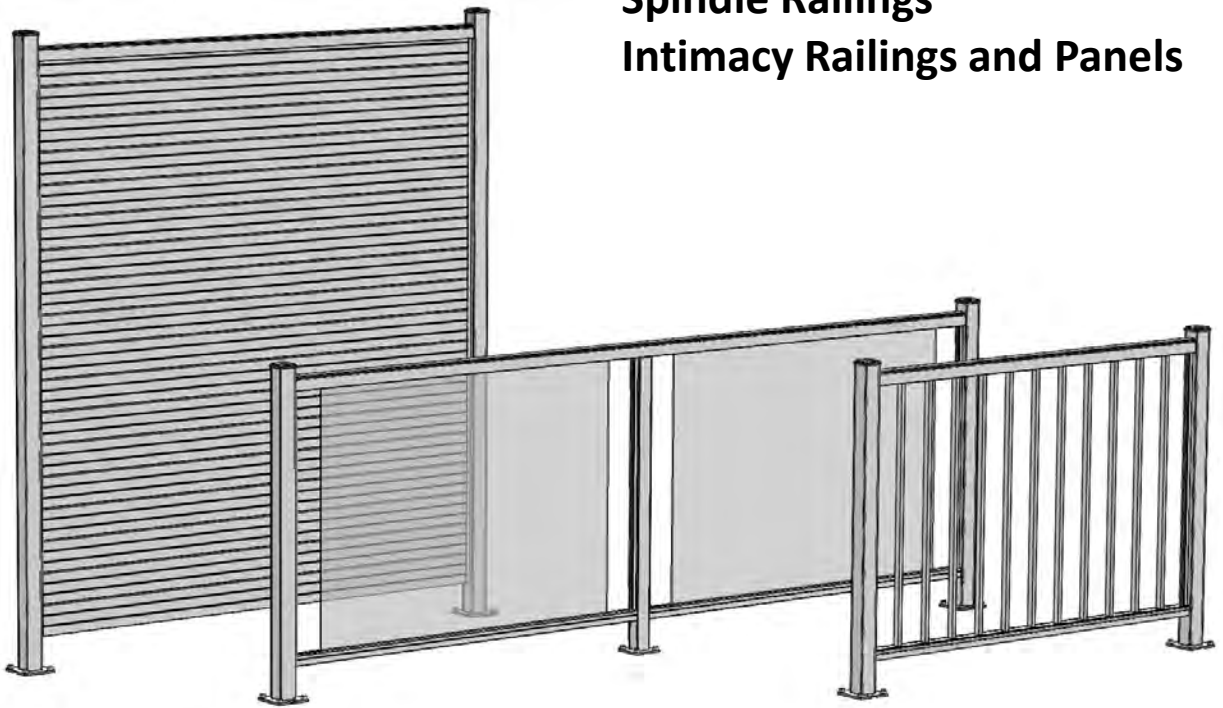


# Aluminum Railing Installation Guide

Product specifications  
Installation Manual

Glass Railing  
Spindle Railings  
Intimacy Railings and Panels



SHAPE THE FUTURE WITH ALUMINUM.

# This information in this guide will help you to...

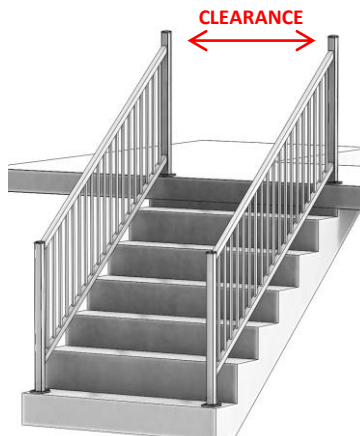
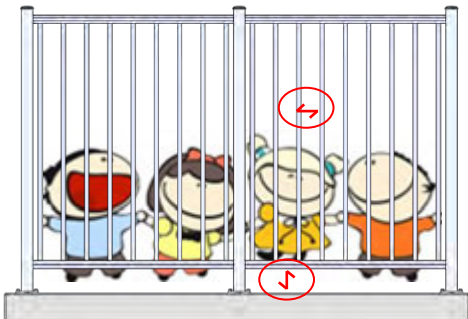
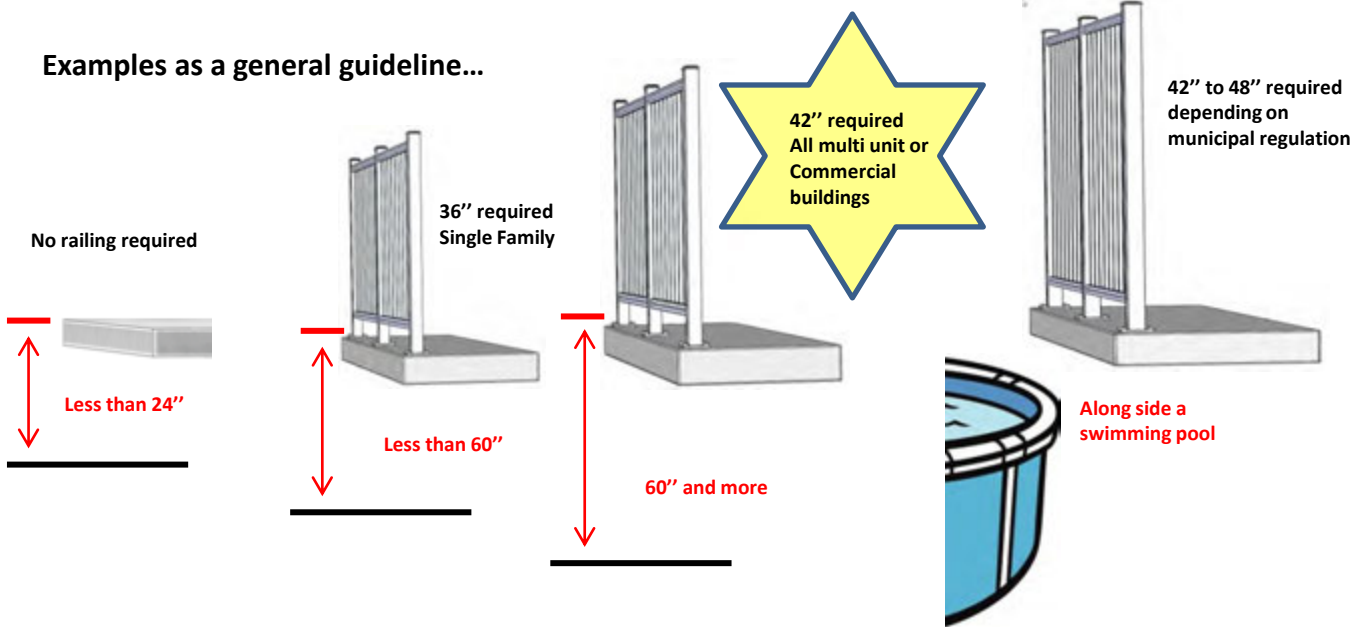
- Better understand our product line.
- Give you guidelines for an easier planning process.
- Help make the installation easier..



## Know the regulations before planning your project...

In regard to the height requirements it's best to call your municipal town hall and your insurance company to find out what is required in different situations.

### Examples as a general guideline...



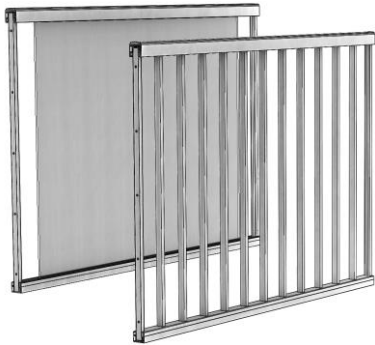
Passage way clearance for  
stair railings.

Main entrance Min 36"

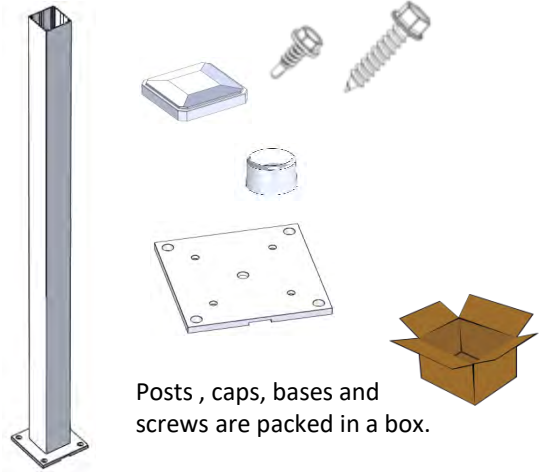
Service entrance Min 30"

# General information for our Railing products and options...

All our railing are cut to length and pre-assembled as per your specifications including all the screws and accessories to ready for installation.



Railings come pre-assembled wrapped in Styrofoam and cellophane.



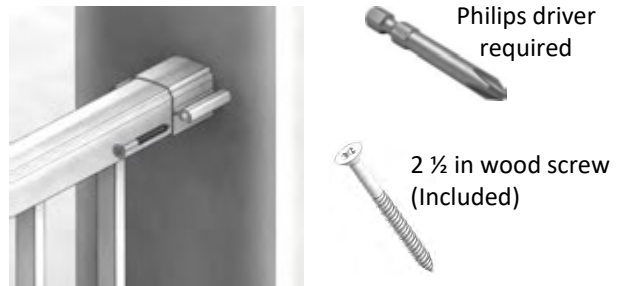
Posts , caps, bases and screws are packed in a box.

## Which screws for what application

### Railing section assembly



### Railing Adapter for wood columns



### Post in wood or Resin floor



### Post in cement floor



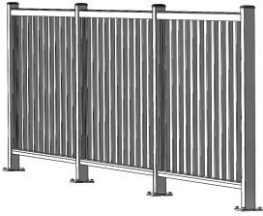
### Post in aluminum floor





# Planning your project...

Railing option configurations.



### Standard Configuration

Spindles or Glass

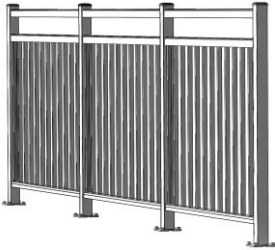
Each section is divide by a post.



### Continual Handrail Configuration

Spindles or Glass

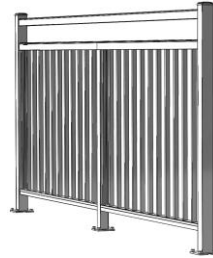
Intermediate posts are installed under the hand rail.



### Standard Double Handrail Configuration

Spindles or Glass

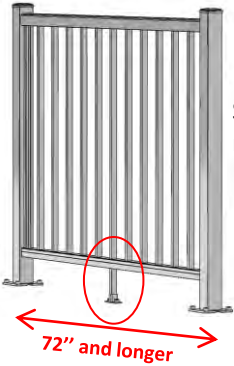
Each section has an added handrail on top. Sections longer than 40" Will require 2 extended spindles per section.



### Continual Double Handrail Configuration

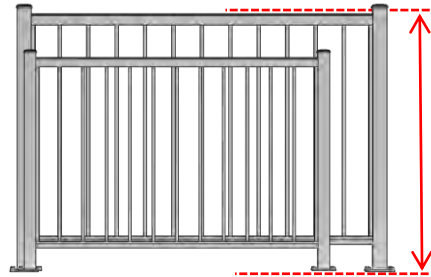
Spindles or Glass

Another handrail is added.



### Extended spindle support

Sections longer than 72" inches require 1 extended spindle.

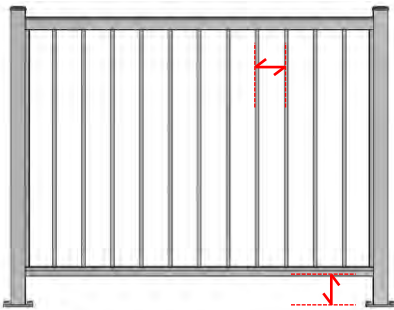


### Standard Heights

36", 42", 48"  
60" inches

### Custom Heights

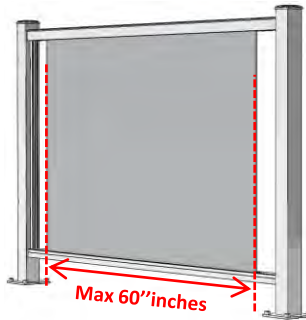
12" to 84" inches



### Spacing

Spindles are spaced at **3 15/16"**

Space between the floor and bottom rail should be **3 15/16"** (In Ontario 3")



### Glass Railing length

**Maximum** length for glass panel is **60" inches**

Glass thickness 6mm Tempered



### Aluminum Panel Railings

All Railings configuration option can be made with aluminum intimacy panels.



### Intimacy Panel

Standard size 72" x 60"

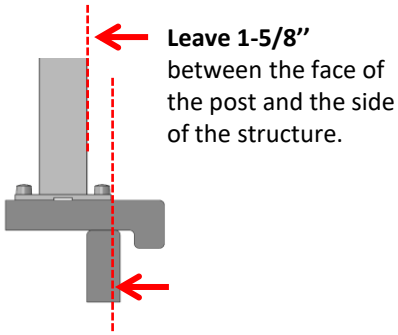
Custom Sizes also Available



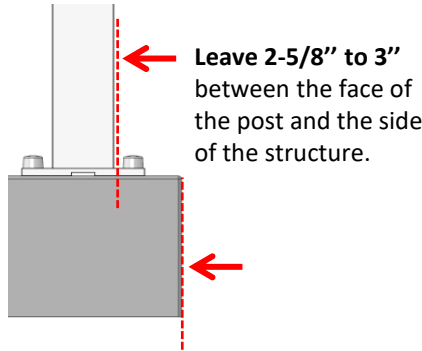
# All about the offset spacing ...

## Positioning you Posts and or Columns

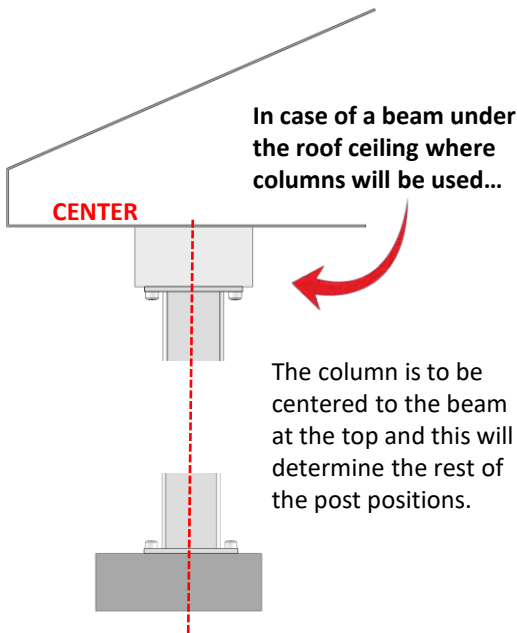
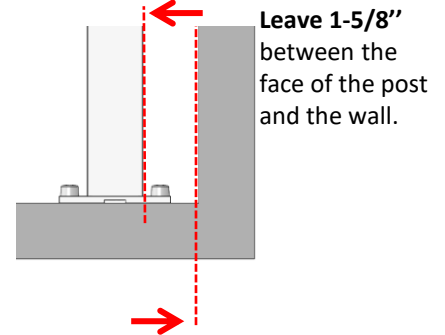
### Wood, Aluminum or Steel Structure



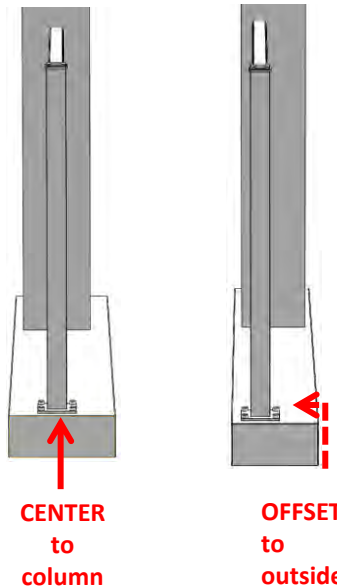
### Cement structure



### Wall or Column



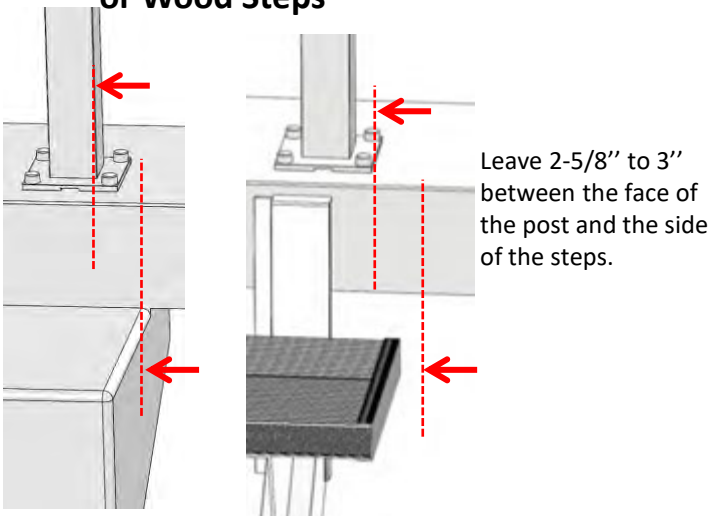
### In case of existing columns



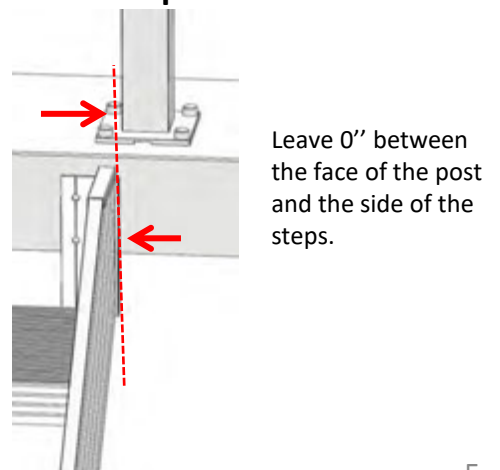
Existing columns will determine the position of the posts.

Normally the post and railing would be centered to columns but to gain more floor space the railings can be optionally moved offset to the outside.

### Cement Steps, S-100 or Wood Steps



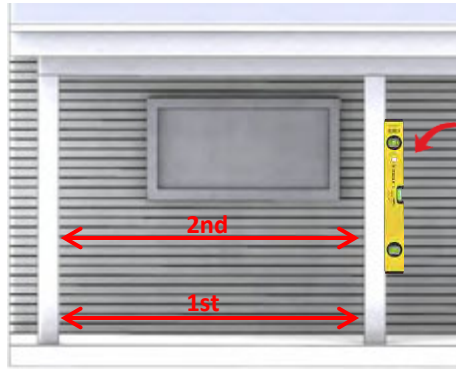
### S-500 steps





# Calculating your project...

## Example 4 Roof with a ceiling beam & columns

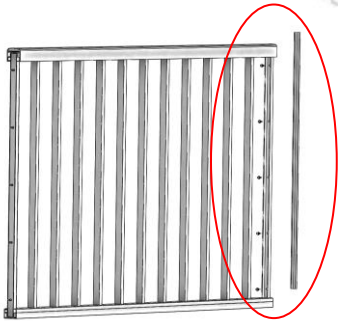


Measuring between 2 fixed columns.

Validate that the columns are straight using a level

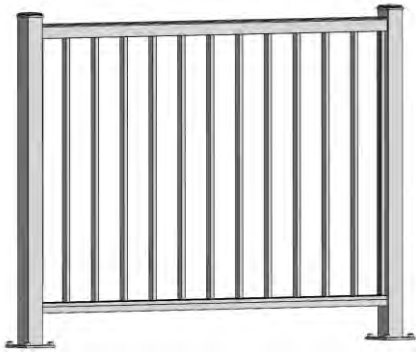
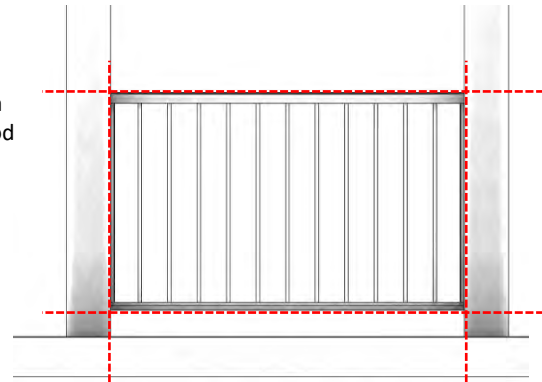
Take 1<sup>st</sup> 4" off the floor

Take 2<sup>nd</sup> height of the railing 36" or 42" off the floor. Use the shortest length measured.

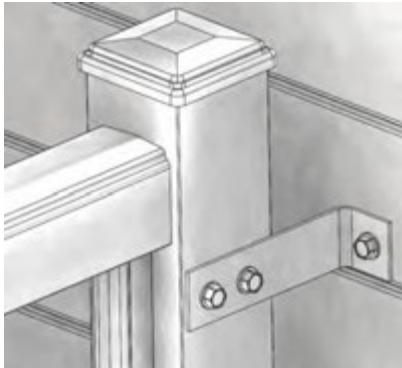
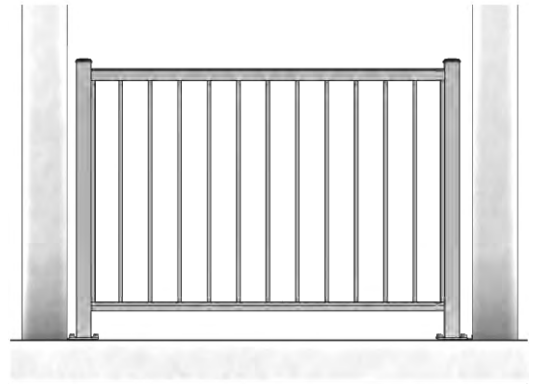


When ordering railings with attachment bars, a tight fitment can be challenging with fixed wood columns.

The columns must be perfectly straight and square to one another.



Another option would be to install posts between the columns.

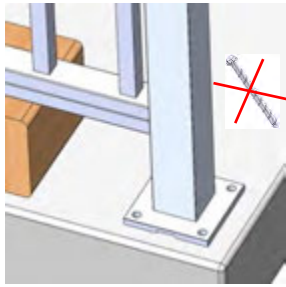
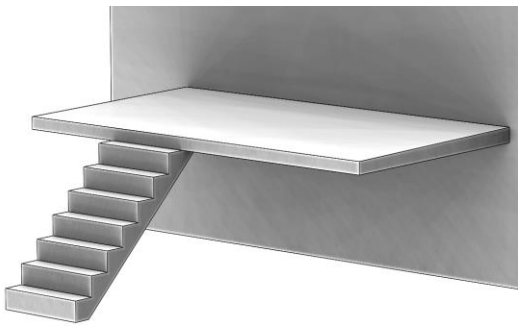


Railings of 42 " and over require additional support. We use a Wall Bracket to solidify the Post and also serves as an additional safety measure.



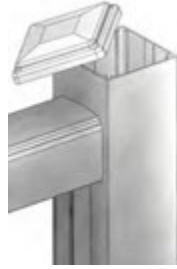
## TIPS: Installing your project...

The following tips will apply to your installation.

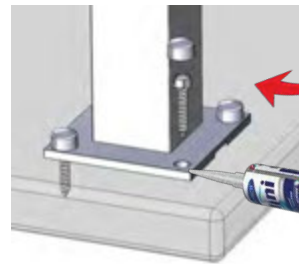


**TIP:** Assemble all of your sections before bolting the post down to the floor.

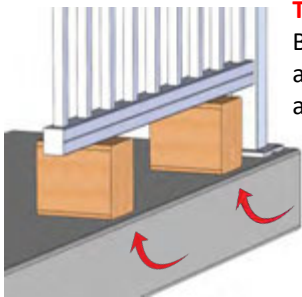
This will allow you to reposition the railing if necessary.



**TIP:** Use caulking or silicone around the inside of the cap before installing.



**TIP:** Use caulking or silicone around the inside the locking holes.



**TIP:** Use 2 wooden Blocks 3" high as a spacer while assembling the railing.



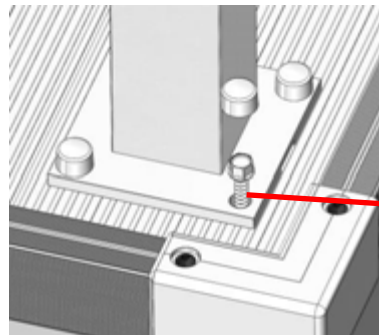
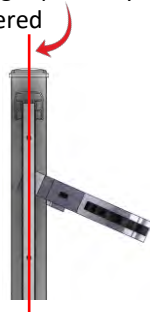
**TIP:** The holes in the attachment bar are pre-drilled.

Use as many screws as there are holes

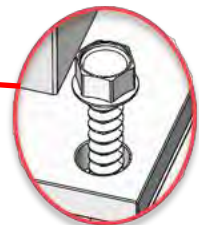


**TIP:** Use adjustable clamps to properly secure the railing in place.

This will insure the railing is perfectly centered

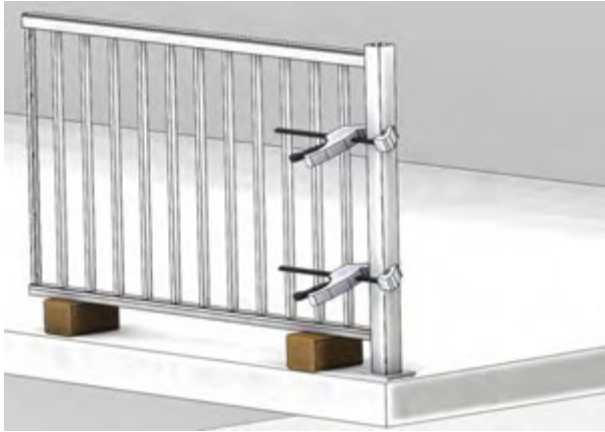


**TIP:** Don't force the screws too over tighten when screwing into aluminum flooring or steps.

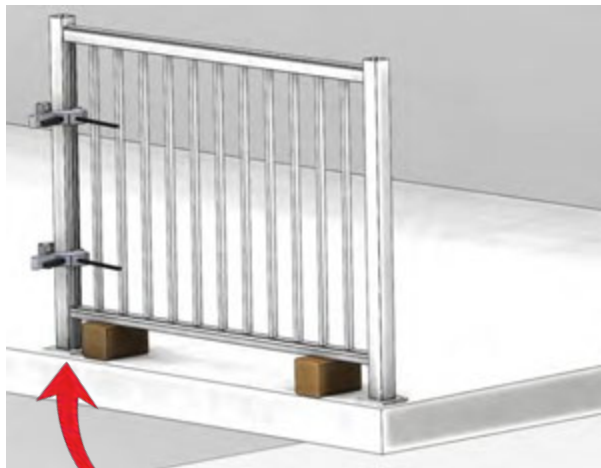
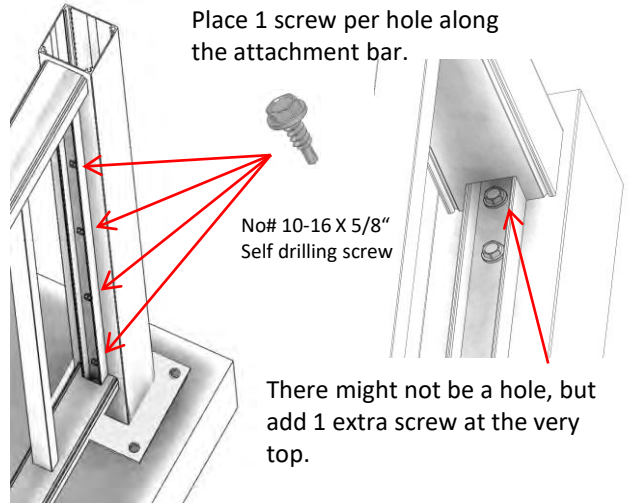




# Installing your railing step by step...



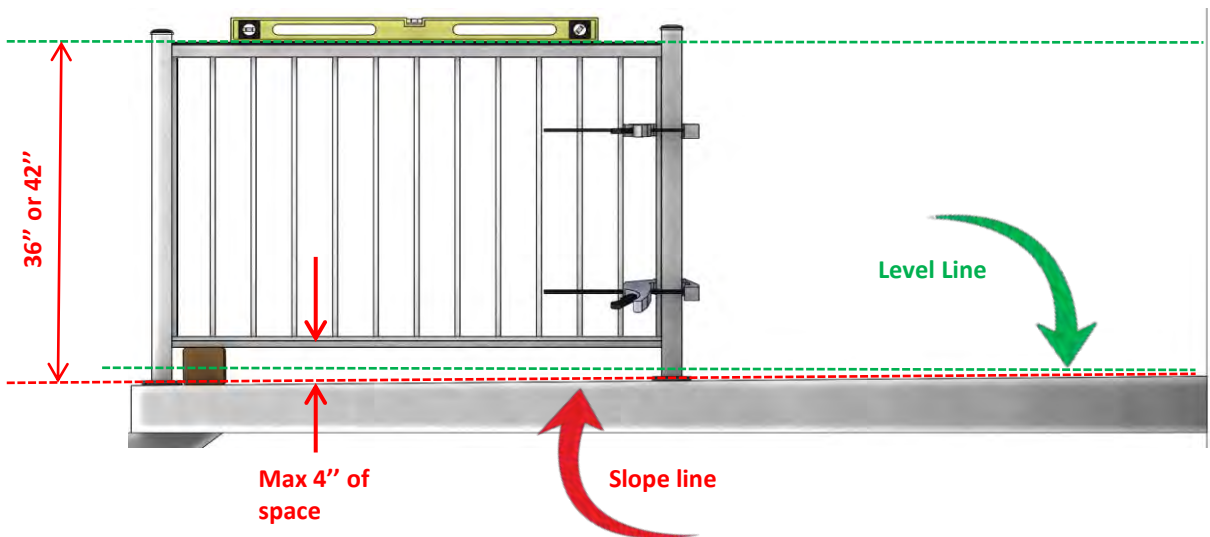
**Step 1** Start assembling the railing to the post at the FRONT corner of the balcony.



**Step 2** Install the post on the opposite side.



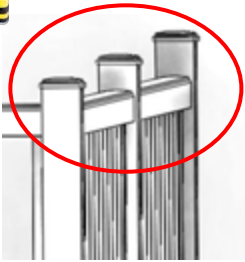
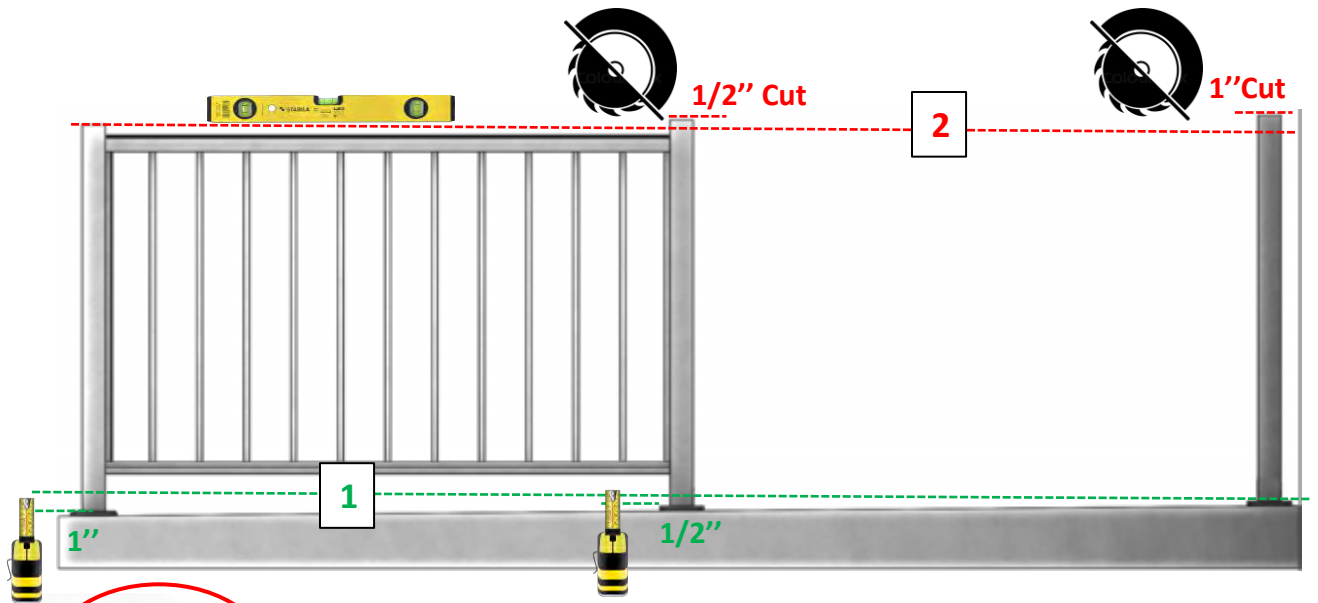
**Step 3** Due to the slope in the balcony floor, you can start with a block but use a level for the railing







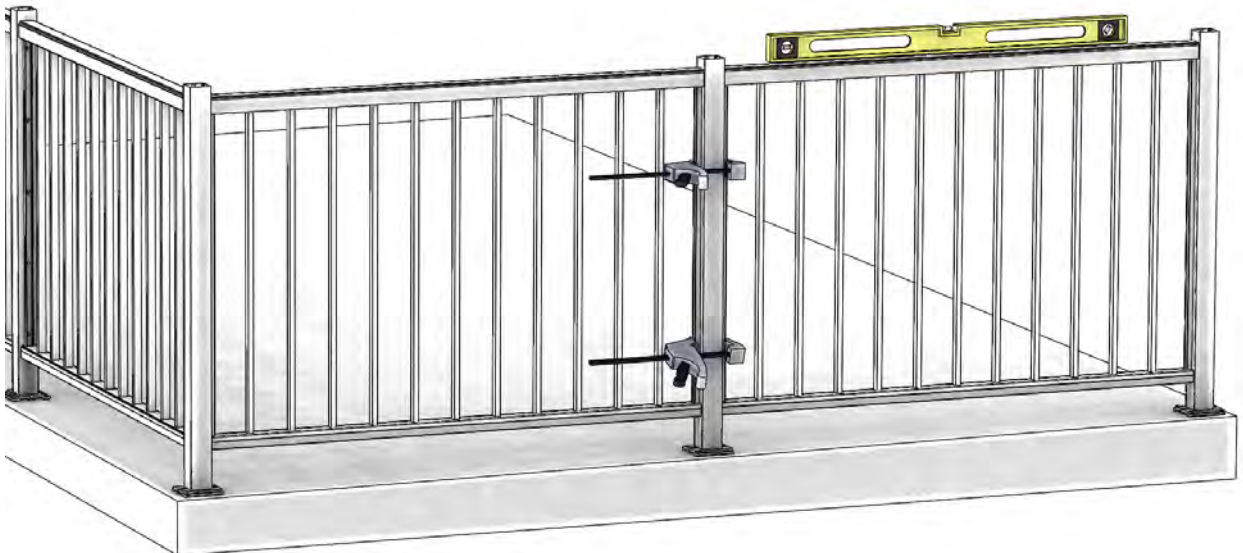
## Optional: Installing your railings step by step...



### Step 4

Before completing the installation, you may cut the post on the slope side so that they are all the same height.

1. First measure the slope height at each post.
2. Then transfer that measure to the post on the opposing side and cut.

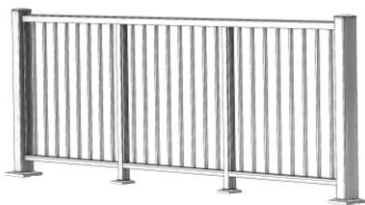


### Step 5

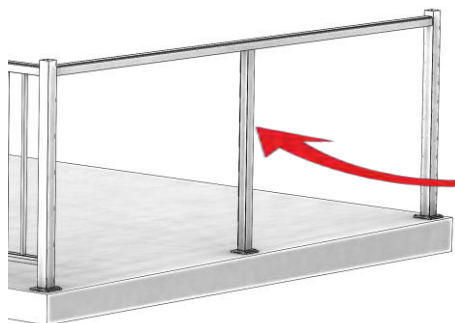
Complete the installation of the section using the modified posts.



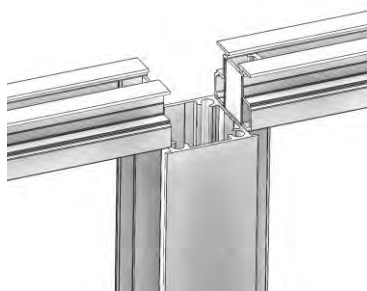
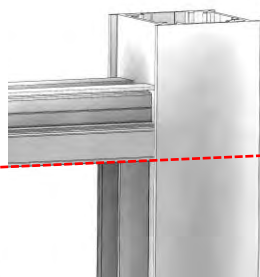
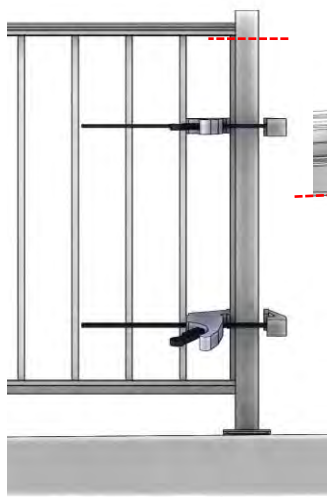
# Installing your railings step by step...



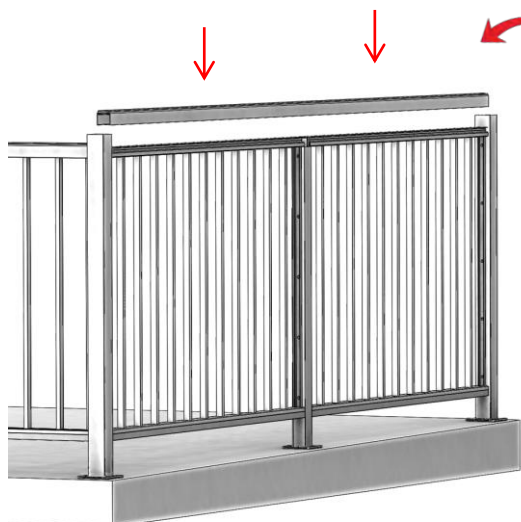
## Installing a continuous hand rail.



The installation process is basically the same except that the intermediate post will pass beneath the hand rail allowing for an uninterrupted continuous hand rail

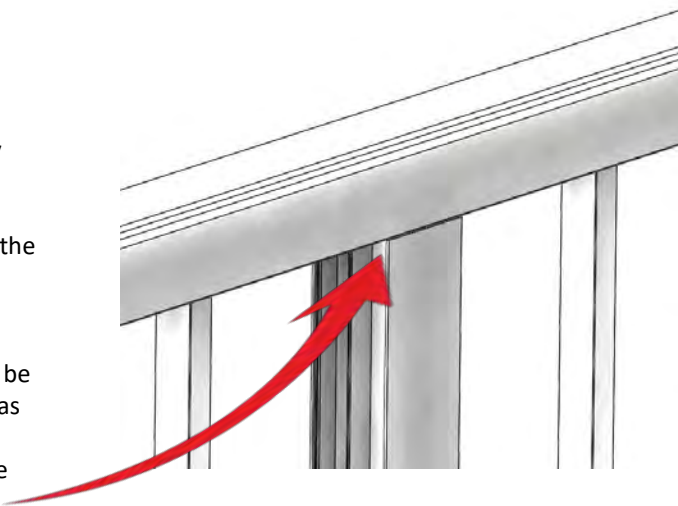


You will need to cut the post so that the top of the post the same height as the underside of the handrail.



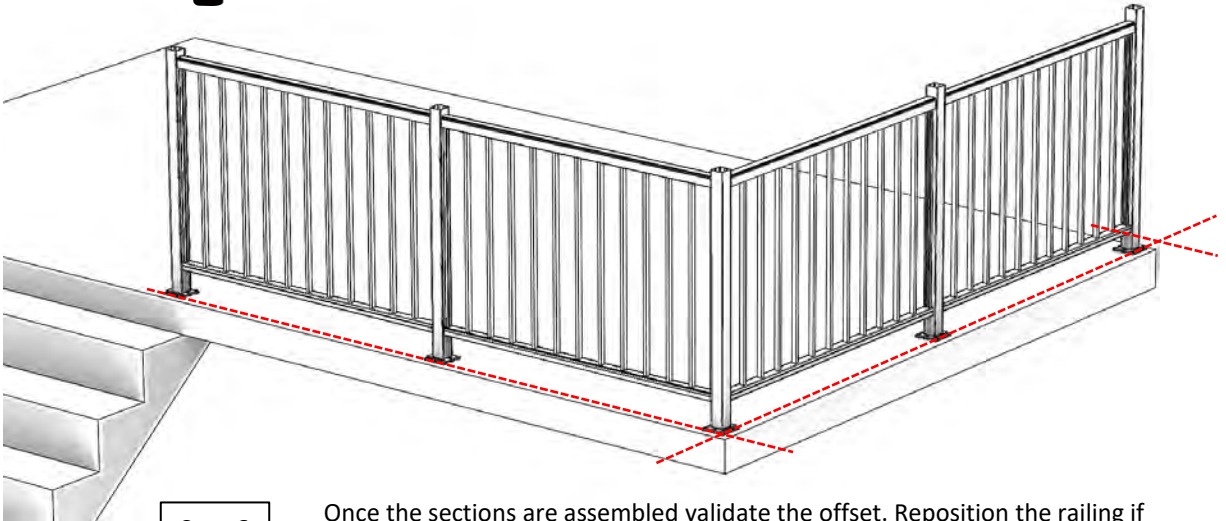
Complete the installation by clipping the continuous handrail over the top of the 2 sections.

The fit should be fairly tight so as not to see through to the other side



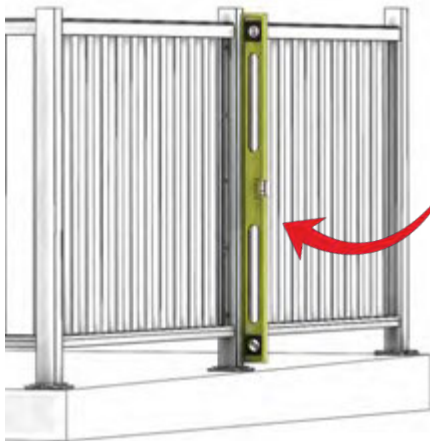


# Installing your railings step by step...



**Step 6**

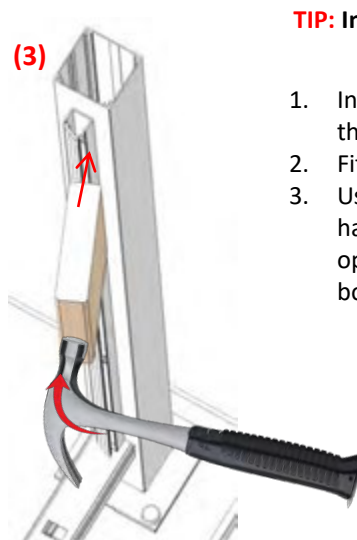
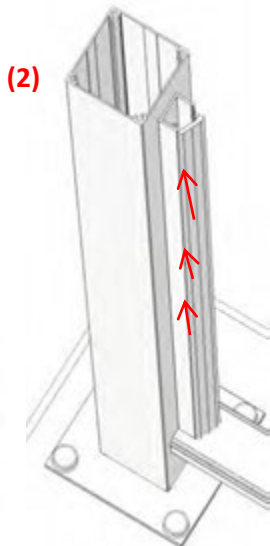
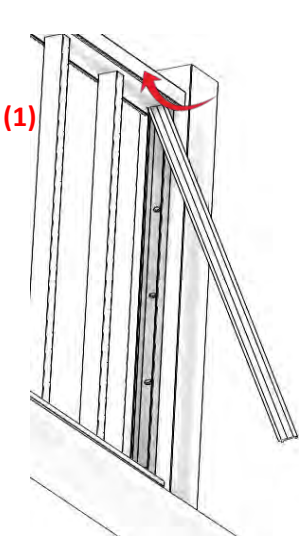
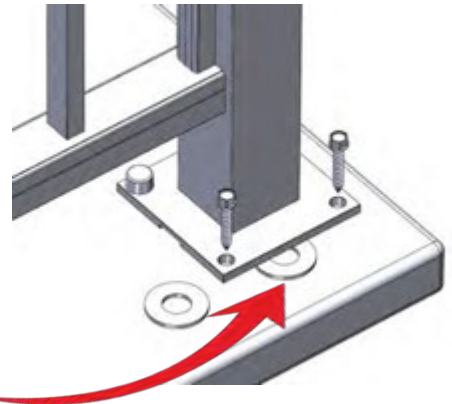
Once the sections are assembled validate the offset. Reposition the railing if necessary then start fixing the posts.



**Step 7**

Be sure that the post remains level as you tighten the screws down on the base.

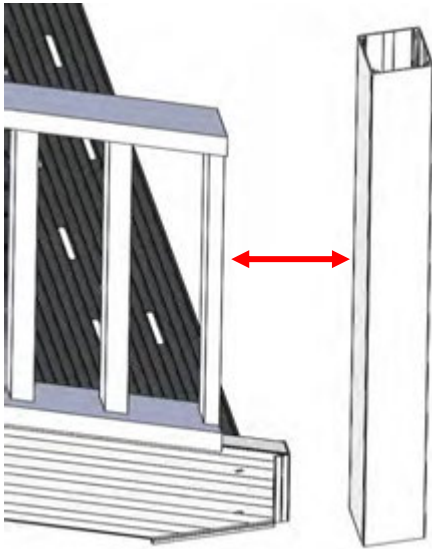
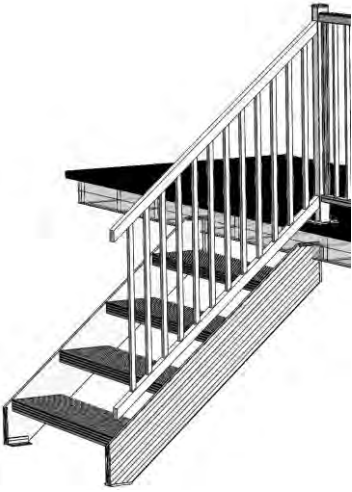
Use washers or other material on hand to shim the base plate.



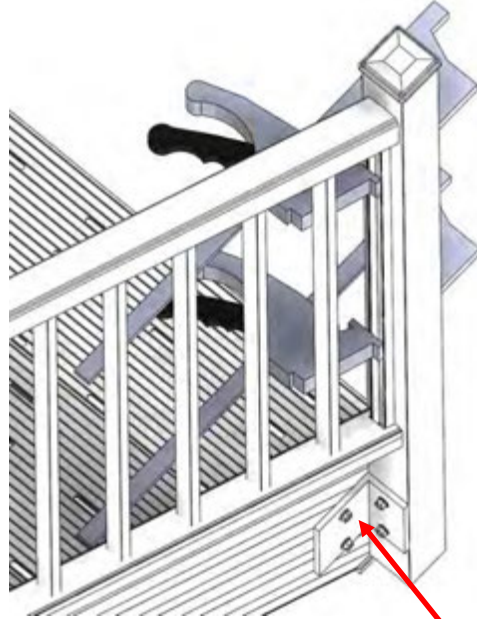
## **TIP: Installing attachment bar cap**

1. Insert the cap into the railing at the top.
2. Fit the clip in on one side.
3. Using a piece of wood and a hammer gently clip in the opposing side from top to the bottom.

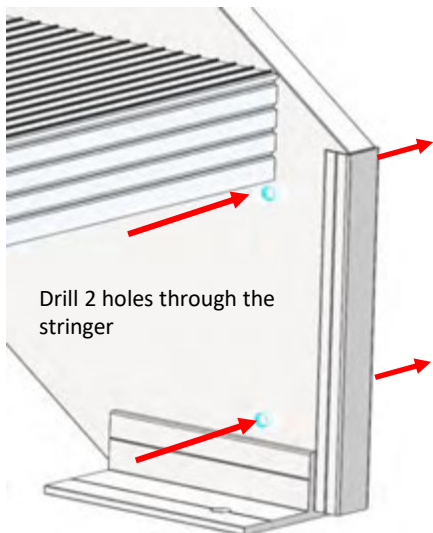
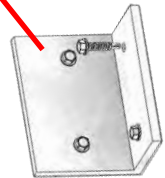
## Install the post to the S-500 stringer...



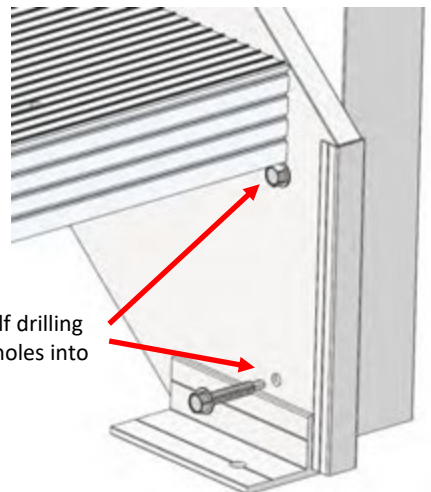
Install the post to the railing.



Screw the angle with 2 screws into the side of the stringer and 2 screws into the center of the post.

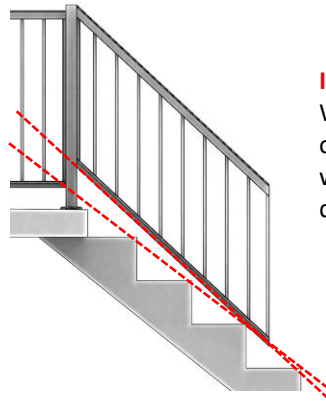


Drill 2 holes through the stringer



Screw the angle 2 self drilling screws through the holes into the post .

# Installing your stair railings step by step...



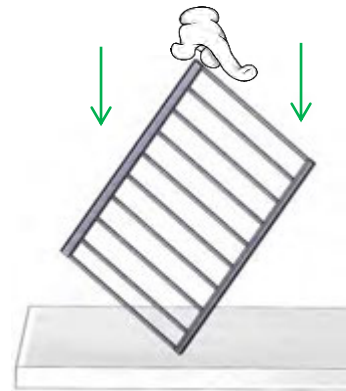
**IMPORTANT NOTE:**

When attempting to install your angled railing on the steps, you may come across this issue where the angle on the railing is quite different than the angle of the steps.

**SOLUTION:**

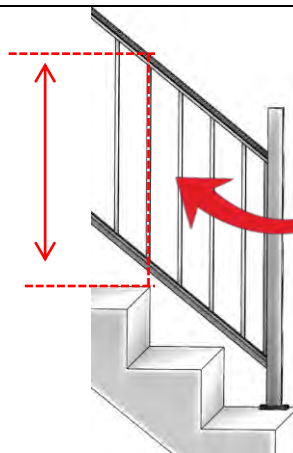
To remedy this issue, stand the railing up on its end and force downwards so the railing assumes its original shape,

As the railing is passed through the wrapping machine, the pressure of the wrapping will compress the railing therefore changing the angle.

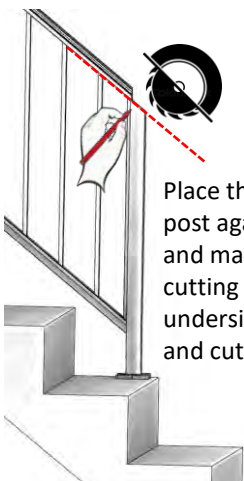


**Step 1**

Start at the top of the stairs going down.

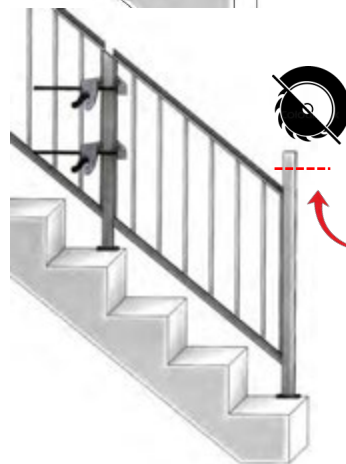
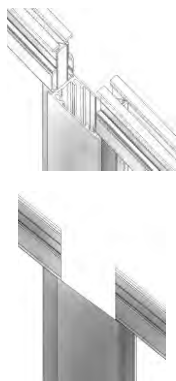


**NOTE:** Keep a vertical space of 36" between the top edge of the step and the top of the railing if building according to the code.



**Step 2**

Place the intermediate post against the railing and mark a diagonal cutting line following the underside of the railing and cut the post.



**Step 3**

Complete the installation of the last section and post.

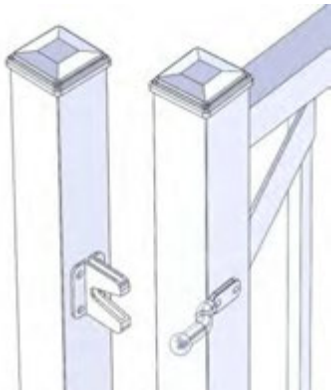
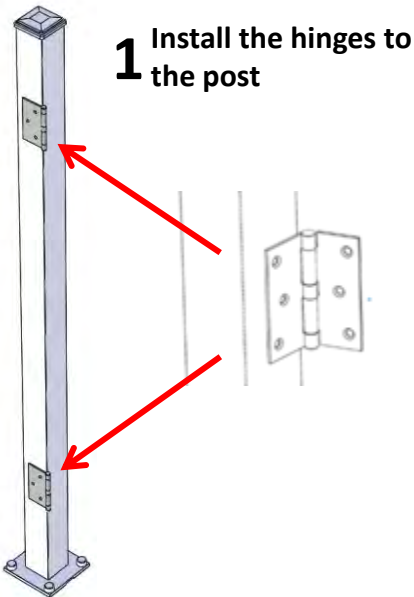
Cut the post to the right height.

# Installing a gate...

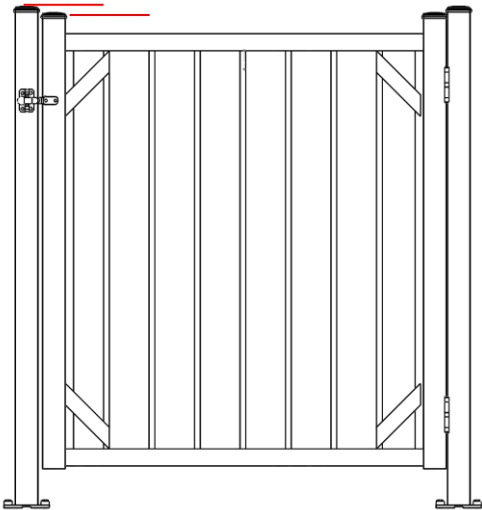


**2** Install the gate to the hinges

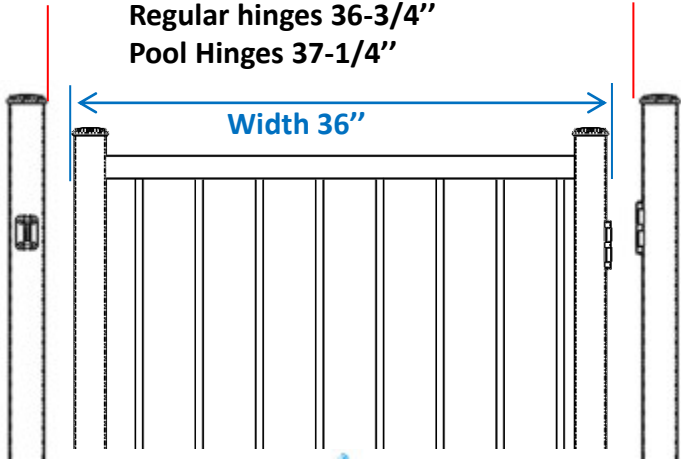
**3** Install the lock



**4** The top of the gate post should be installed  $\frac{1}{4}$  lower than the railing posts

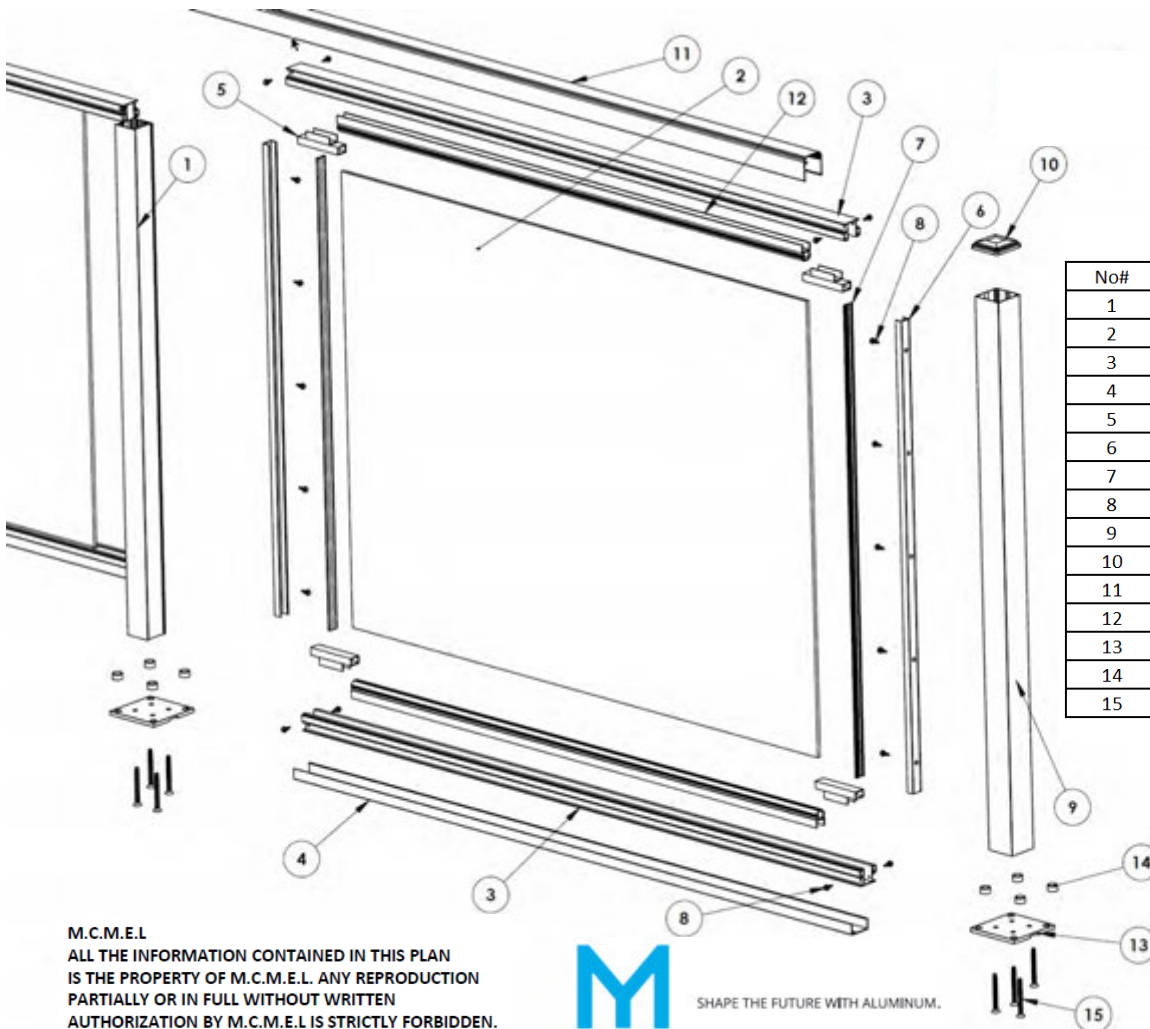
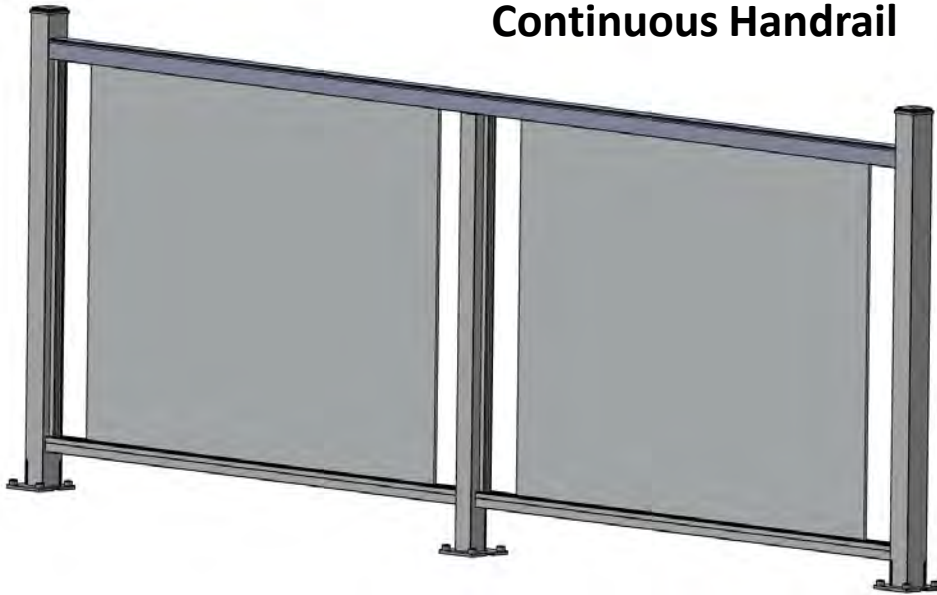


For a gate with a width of 36" the opening needs to be:  
Regular hinges 36-3/4"  
Pool Hinges 37-1/4"



SHAPE THE FUTURE WITH ALUMINUM.

# Aluminum Glass Railing with Continuous Handrail



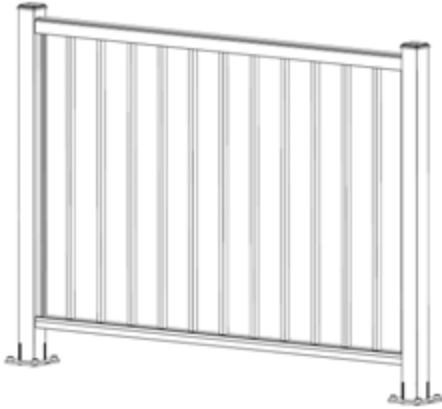
No#	DESCRIPTION
1	INTERMEDIATE POST
2	TEMPERED GLASS
3	CHANNEL
4	CHANNEL CAP
5	SPACER
6	ATTACHMENT BAR
7	ATTACHMENT BAR CAP
8	AUTO DRILLING SCREW
9	POST
10	POST CAP
11	HAND RAIL
12	RUBBER GASKET
13	ALUMINUM BASE
14	SCREW CAP
15	PLATE SCREW

M.C.M.E.L  
 ALL THE INFORMATION CONTAINED IN THIS PLAN  
 IS THE PROPERTY OF M.C.M.E.L. ANY REPRODUCTION  
 PARTIALLY OR IN FULL WITHOUT WRITTEN  
 AUTHORIZATION BY M.C.M.E.L IS STRICTLY FORBIDDEN.

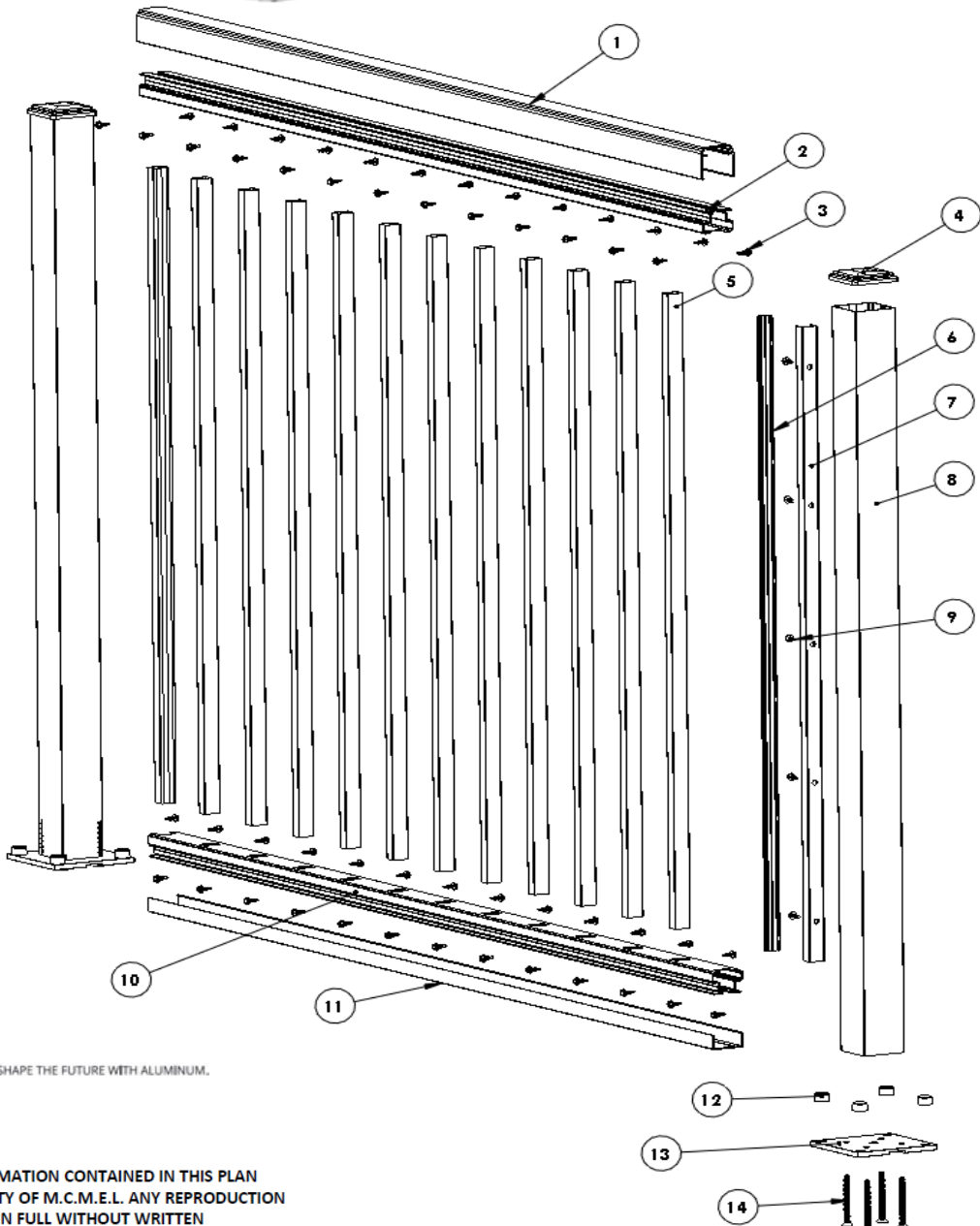


SHAPE THE FUTURE WITH ALUMINUM.

# SPINDLE RAILING



1	Hand Rail	8	Post
2	Top Channel	9	Vis auto foreuse
3	Self Drilling Screw	10	Bottom Channel
4	Post Cap	11	Channel Cap
5	Spindle	12	Screw Cap
6	Attachment Bar Cap	13	Post Plate
7	Attachment Bar	14	Plate Screw



SHAPE THE FUTURE WITH ALUMINUM.

M.C.M.E.L  
 ALL THE INFORMATION CONTAINED IN THIS PLAN  
 IS THE PROPERTY OF M.C.M.E.L. ANY REPRODUCTION  
 PARTIALLY OR IN FULL WITHOUT WRITTEN  
 AUTHORIZATION BY M.C.M.E.L IS STRICTLY FORBIDDEN.



# Intimacy Panel Assembly Instructions



Distributed by:  
M.C.M.E.L. Inc.

## What's included in the box...

(A) 2x



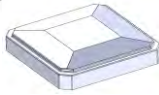
(B) 2x



(C)



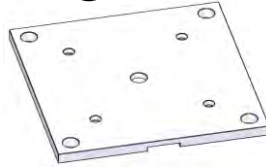
(D) 2x



(E) 8x



2x (F)



(G) 1x

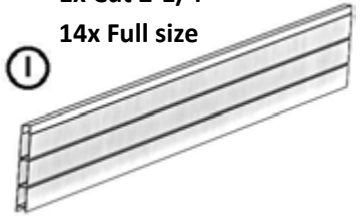


(H) 1x



1x Cut 2-1/4"  
14x Full size

(I)



(J)



20x

(K)



36x

A-3" inch Post  
B-Attachment clip  
C-Clip cover  
D-Post cap  
E-Screw cap  
F-Post base

G-Handrail  
H-Top channel  
I-Intimacy panel  
J-Attachment bar screw  
K-Intimacy panel screw

## Required Tools



Hex Bit



Phillips Bit



Spirit level



Drill



Measure tape

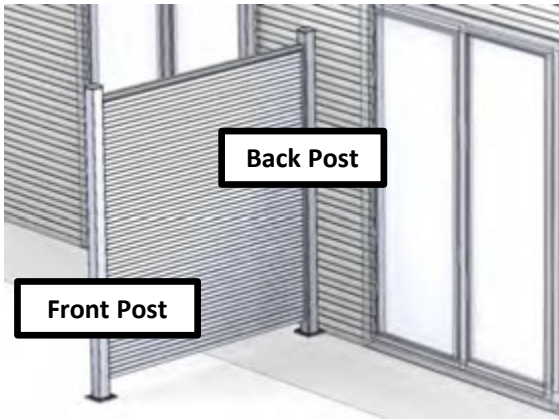


Block of wood



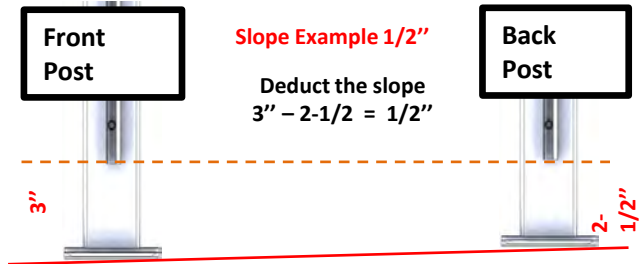
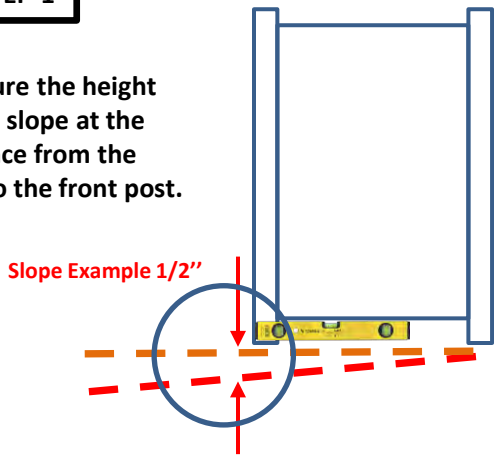
Mallet

The front post and the back will be assembled differently due to the slope in the floor.



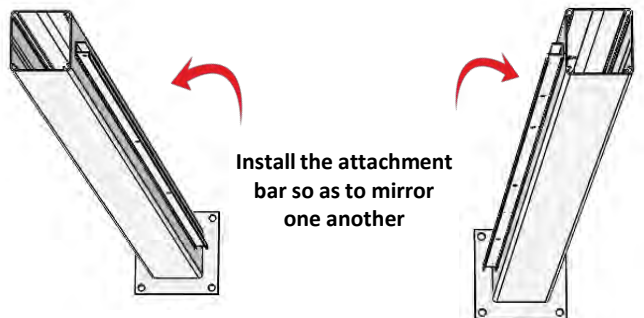
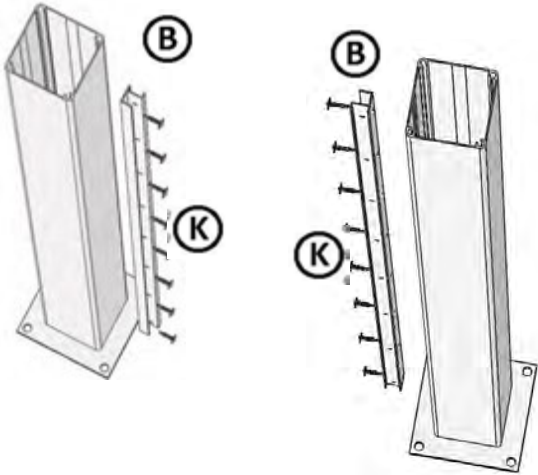
**STEP-1**

Measure the height of the slope at the distance from the wall to the front post.

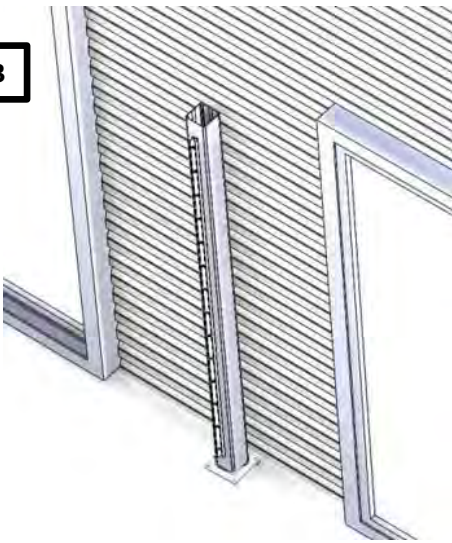


**STEP-2**

**FRONT POST:** Screw the attachment bar to the post 4" off the bottom of the plate.



**STEP-3**



Make sure the post is level.



Install the back post 1 1/2" from the wall.

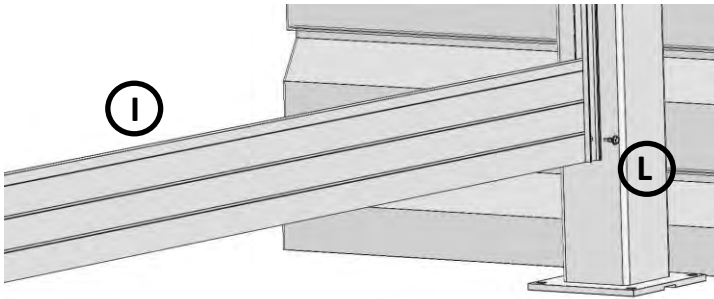
**TIP\*** You can use washers to shim the post to stay level.



Screw the post into the floor.

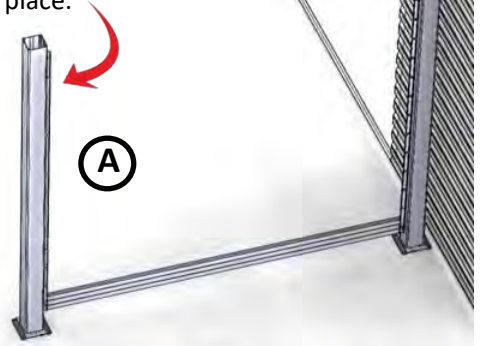
**STEP-4**

Place the first panel at the bottom and screw it into its place.



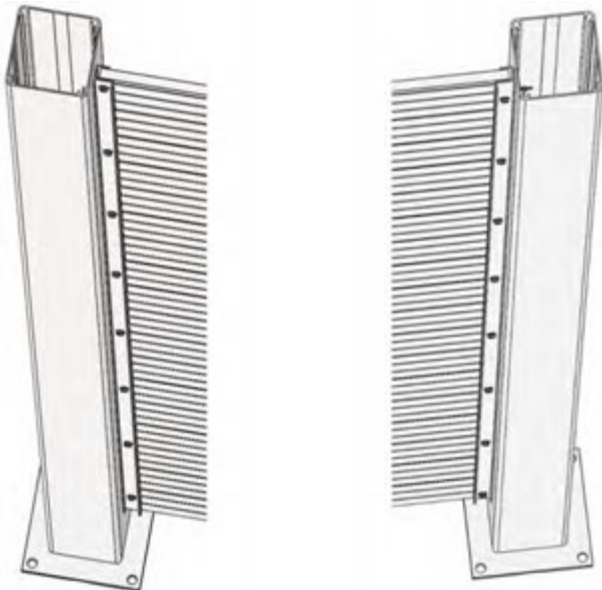
**STEP-5**

Add the front post and screw it into place.



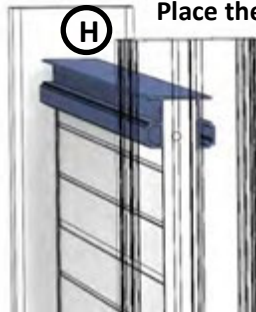
**STEP-6**

Insert the rest of the panels and screw them into place.

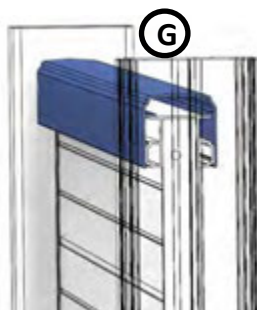


**STEP-7**

Place the channel on the top



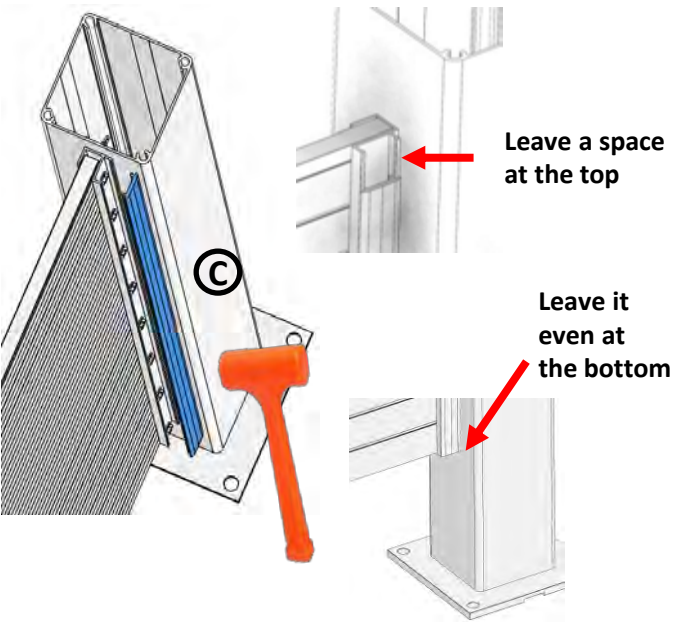
Screw the channel into place.



Clip on the hand rail

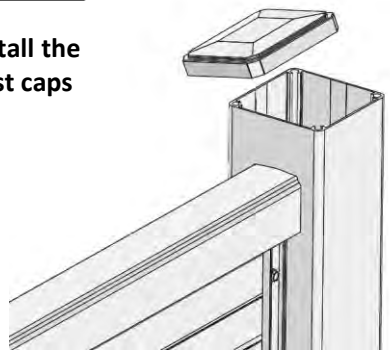
**STEP-8**

Clip on the screw cover using the mallet



**STEP-9**

Install the post caps

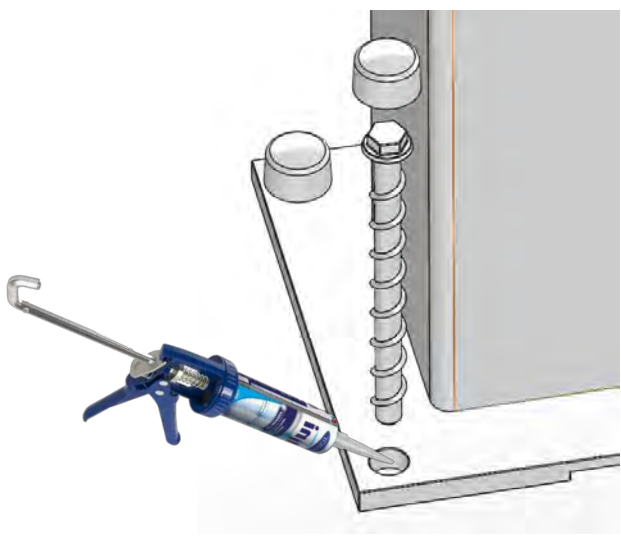


**TIP:** Use caulking or silicone around the inside of the cap before installing.

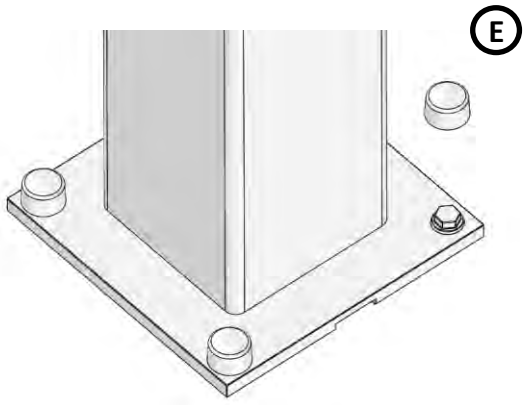


**STEP-10**

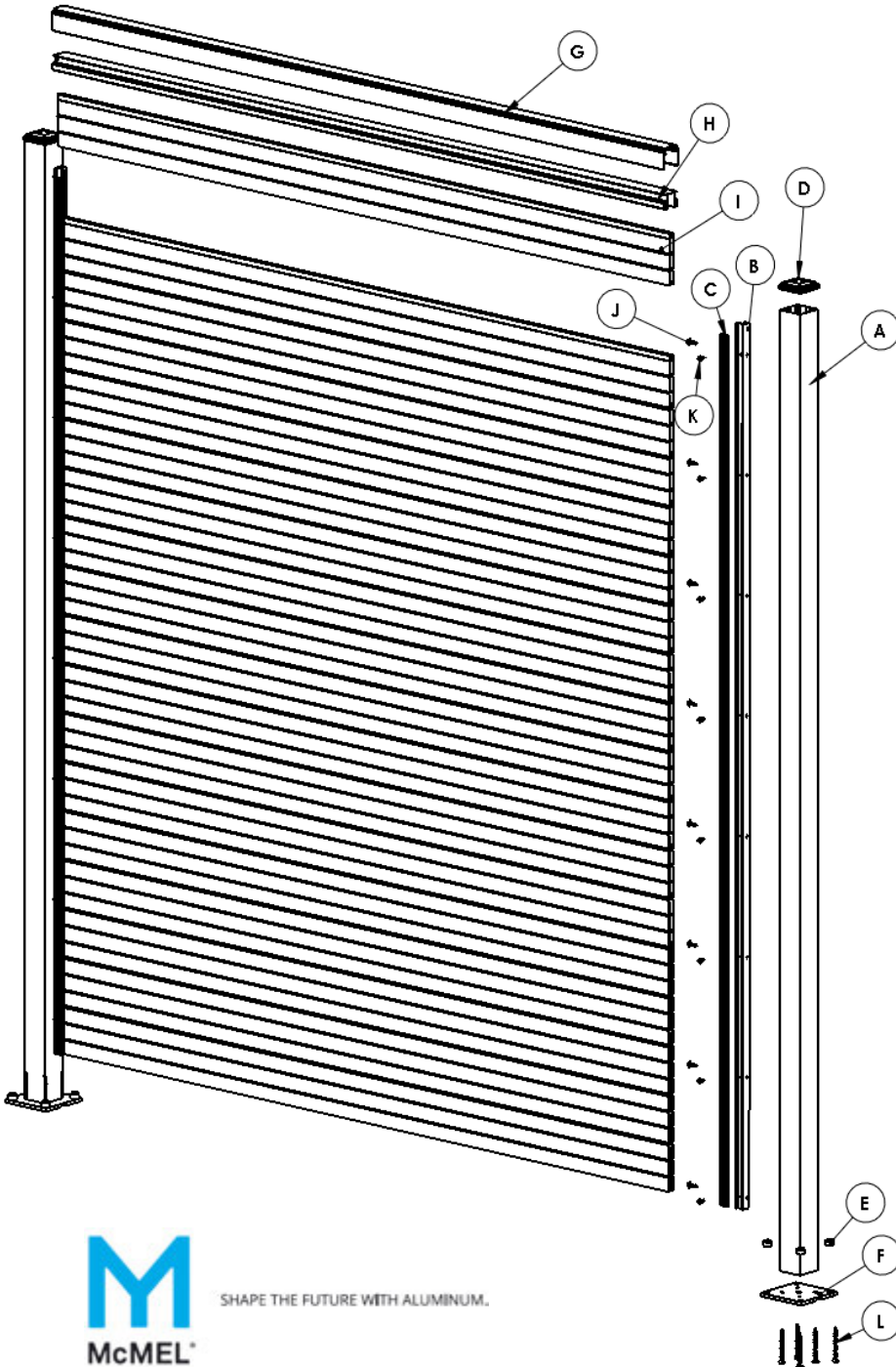
**TIP:** Use caulking or silicone to seal the drilled hole.



Install the screw cap



# Intimacy Panel



No#	DESCRIPTION
A	Post
B	Attachment Bar
C	Attachment Bar Cap
D	Post Cap
E	Screw Cap
F	Post Plate
G	Hand Rail
H	Channel
I	Intimacy Panel
J	Vis auto foreuse
K	Panel Screw
L	Post Plate Screw



SHAPE THE FUTURE WITH ALUMINUM.

M.C.M.E.L

ALL THE INFORMATION CONTAINED IN THIS PLAN IS THE PROPERTY OF M.C.M.E.L. ANY REPRODUCTION PARTIALLY OR IN FULL WITHOUT WRITTEN AUTHORIZATION BY M.C.M.E.L IS STRICTLY FORBIDDEN.