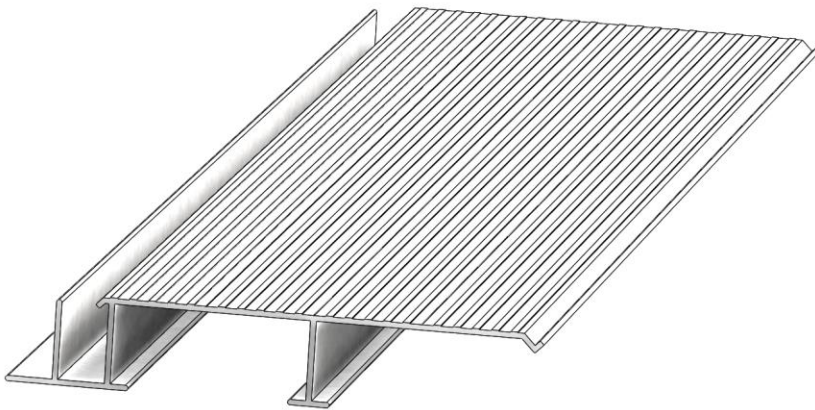
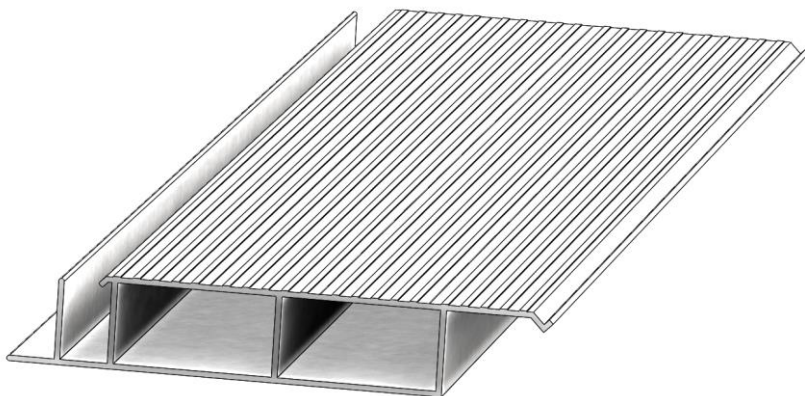


P-6 Aluminum Flooring and Aluminum Structure Guide

Product specifications
Installation Manual



P-6 OPEN



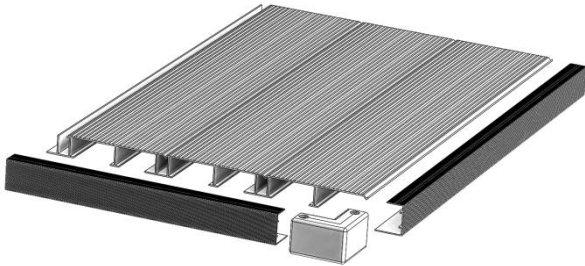
P-6 CLOSED

P6 Aluminum Flooring Application

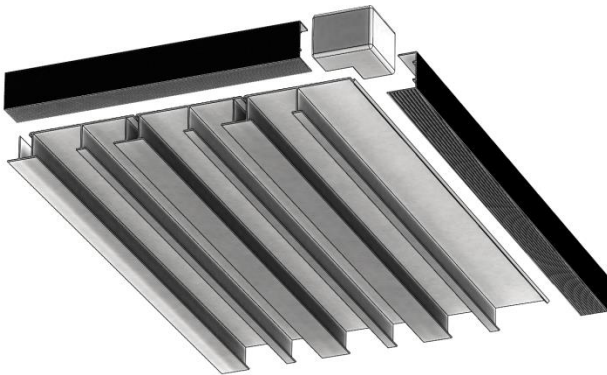
P-6 OPEN

P-6 OPEN is an economical aluminum flooring solution where the under side opening visual esthetique is of no consequence for the final finish.

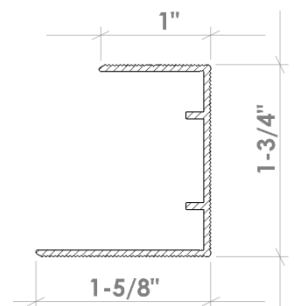
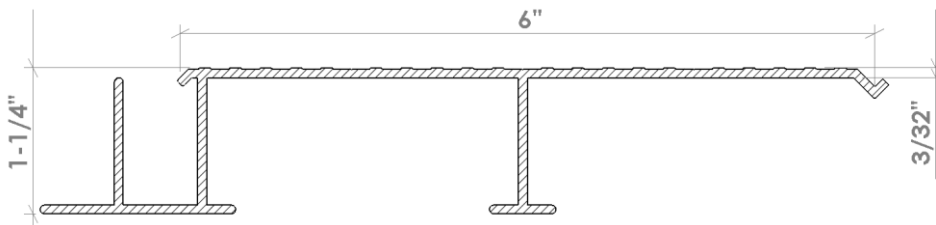
or decking no higher than 60" off the ground where the underside is not visible.



Its application is used on balconies with a soffit is installed



P-6 OPEN Dimensions



P-6 OPEN Floor
Max length 264"

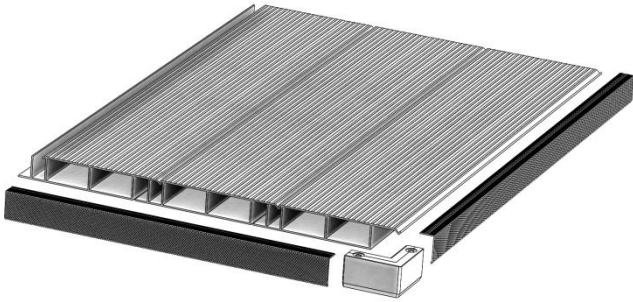
M-2 Finishing Molding
Max length 264"
2

P6 Aluminum Flooring Application

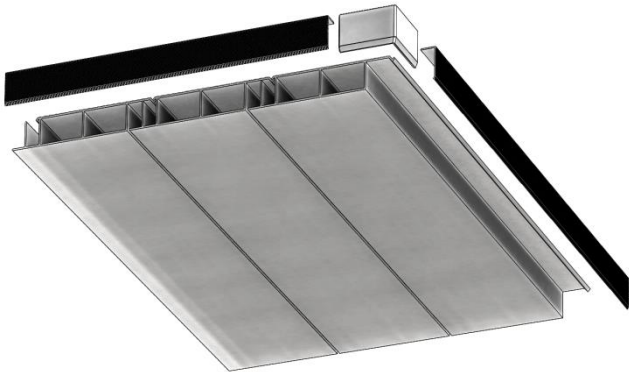
P-6 CLOSED

P-6 CLOSED is an economical aluminum flooring solution where the under side opening visual esthetique is of importance for the final finish.

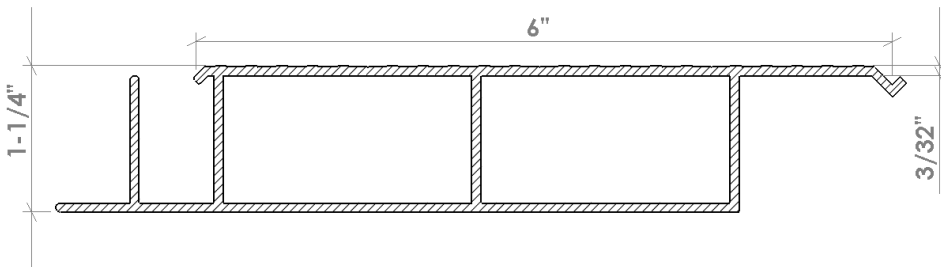
Its application is used on balconies where no underside finishing is installed



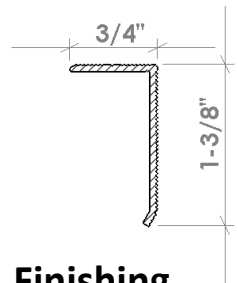
or with our ready to install aluminum framing structure.



P-6 CLOSED Dimensions



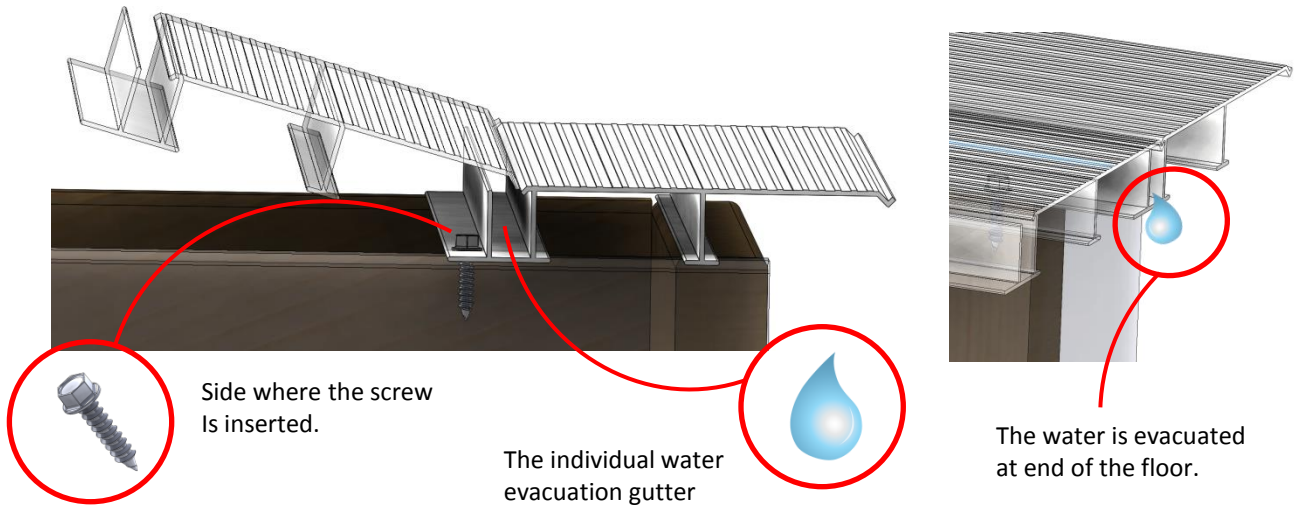
P-6 CLOSED Floor
Max length 264''



M-1 Finishing Molding
Max length 264''

P6 Aluminum Flooring System

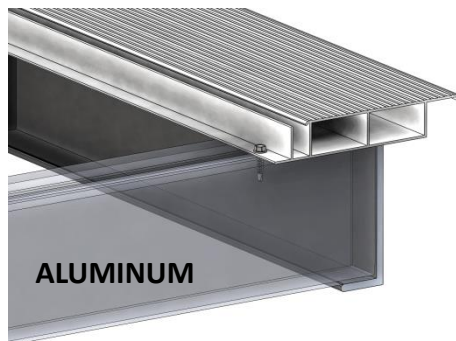
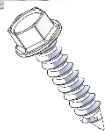
Each P-6 aluminum plank has its own gutter system that captures and eliminates all water from rain or melting snow. This enables our flooring system to be used in for any overhead flooring application.



The **P-6 Aluminum** flooring can be installed directly on all types of structures without the necessity for installing any additional erosion barriers. The only difference is the screw type used in each application.



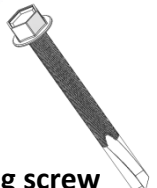
**P-6 installed on
Wooden structure
#14 1" screw**



**P-6 installed on
Aluminum structure
#14 1 1/4" Self drilling screw**

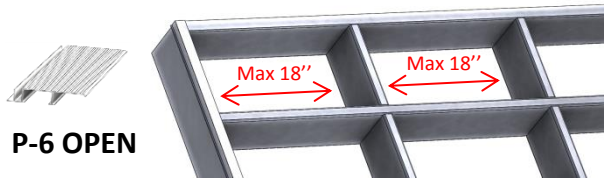


**P-6 installed on
Steel structure
#14 2" Self drilling screw**

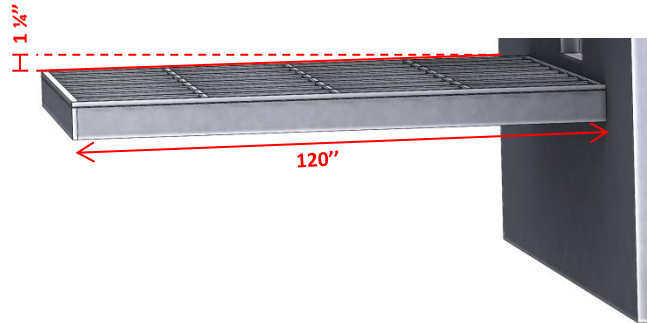


P-6 Aluminum Floor Planning Guide

STRUCTURE: Max distance between the cross members.

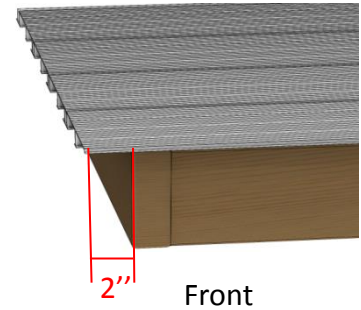
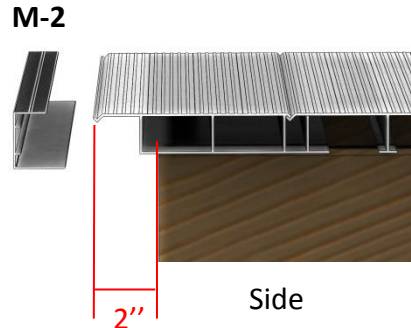
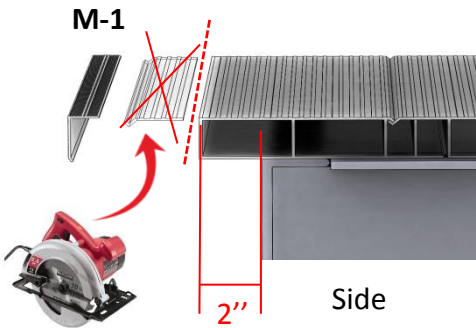


SLOPE: 1/8" per every 12"

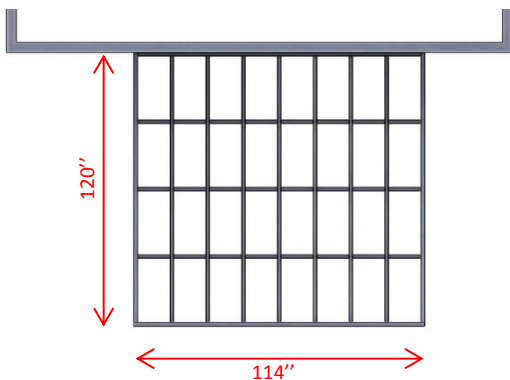


The **M-1 Finishing Molding** requires cutting the end of the **P-6 CLOSED** for a flush finish .

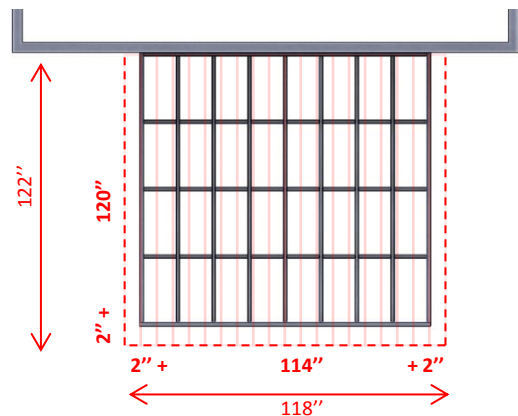
The **M-2 Finishing Molding** requires an overhang distance of 2" between the floor and the structure.



Example:
STRUCTURE: Dimensions 120" x 114"

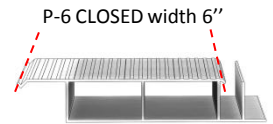
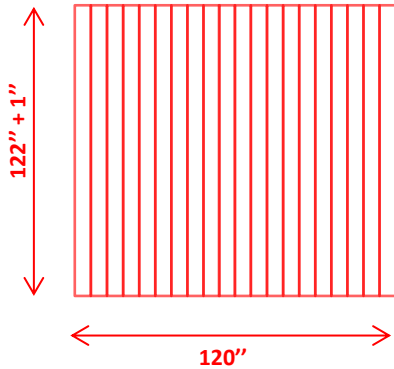


Example:
FLOOR: Dimensions 122" x 118"



P6 OPEN Calculating the quantity of planks required.

FLOOR: Dimensions 122"x 118"



Floor Width 118" Divided by the plank width 6"
 $118" / 6" = 19.6$ equals 20x Planks

NOTE: Always add an extra 1" lengthwise to compensate for crooked walls or structure

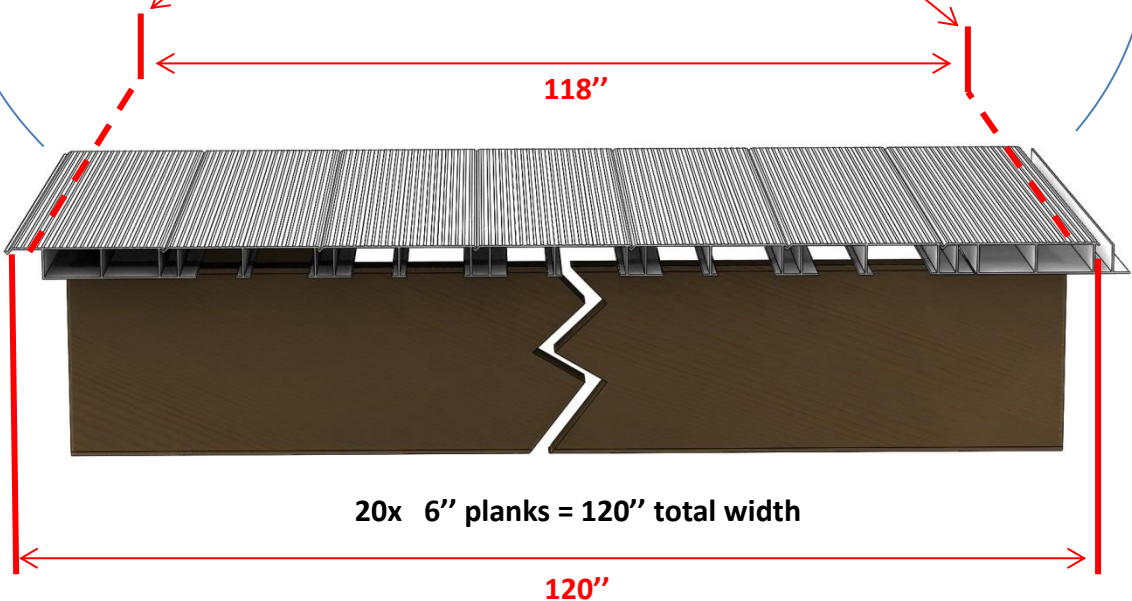
20x Planks Total
18x P-6 OPEN x 123"
2x P-6 CLOSED x 123"

NOTE:
Always start your installation with a P-6 CLOSED plank

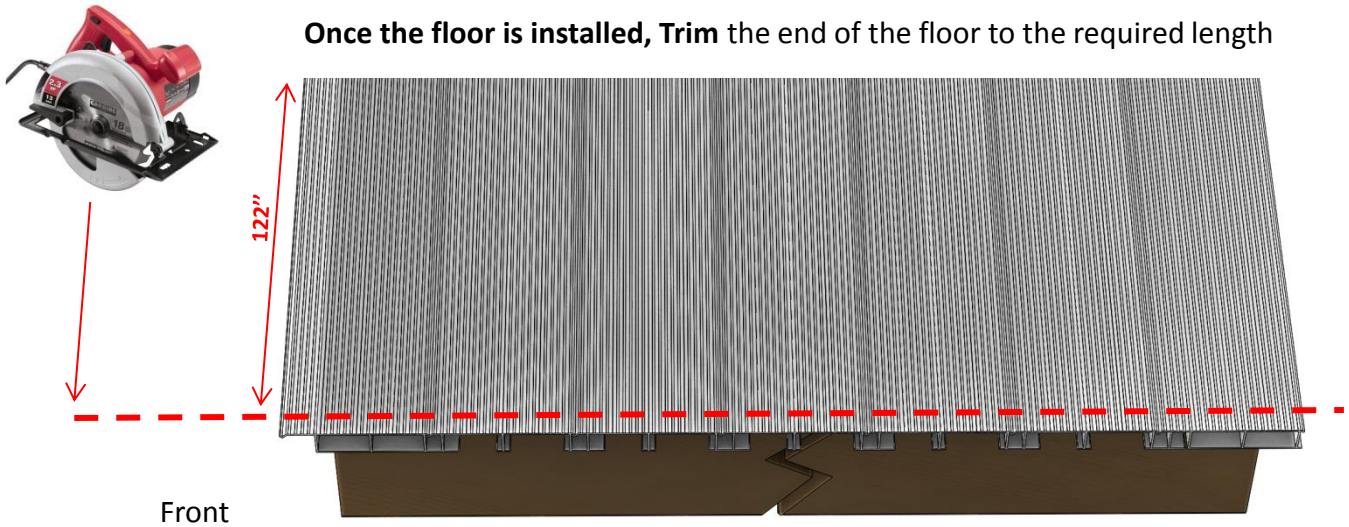
NOTE:
Always finish your installation with a P-6 CLOSED Plank



CUT 1" off on the first and the last plank prior to installing

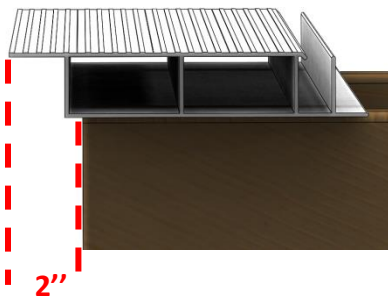


Once the floor is installed, Trim the end of the floor to the required length

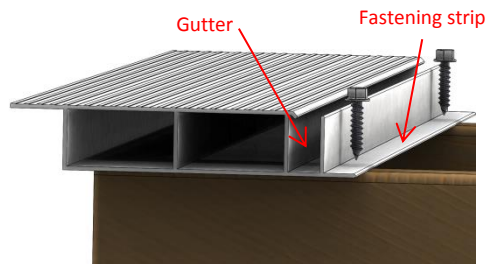


P-6 Flooring Installation Guide.

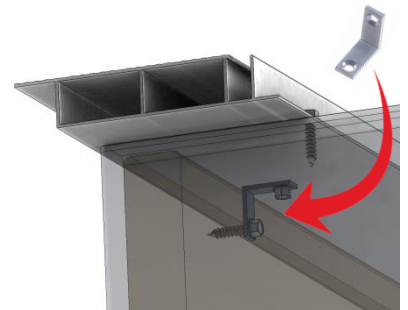
Start with a P-6 CLOSED Plank 2" offset from side of the structure.



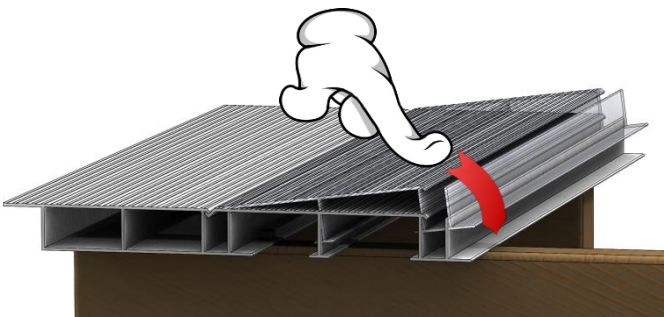
Screw the plank into the structure on the fastening strip alongside the gutter.



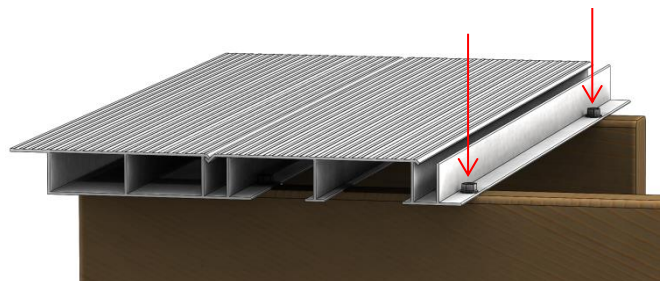
Optional: Fix the underside to the structure using a small angle and 2 screws.



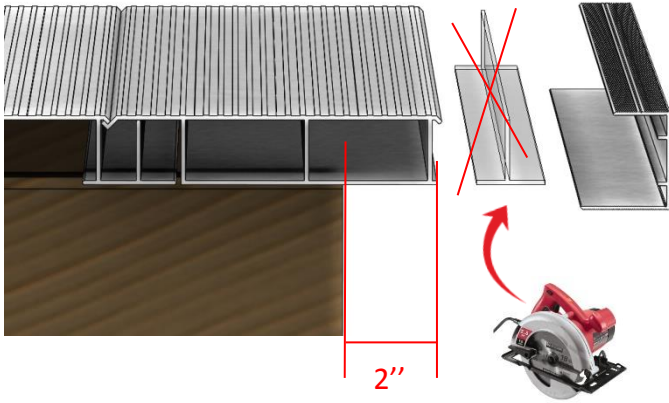
The next plank is a **P-6 OPEN** You will need to apply pressure to properly seat all planks for a snug and tight fit.



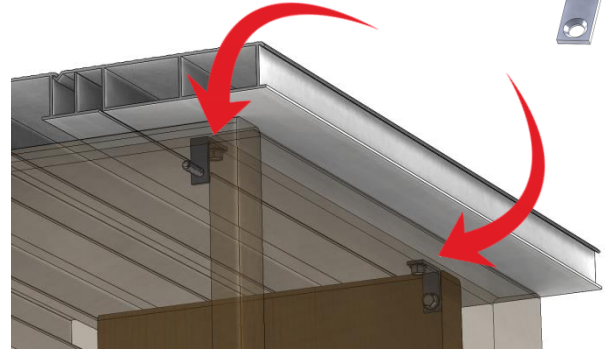
Screw down all subsequent P-6 OPEN planks onto the structure.



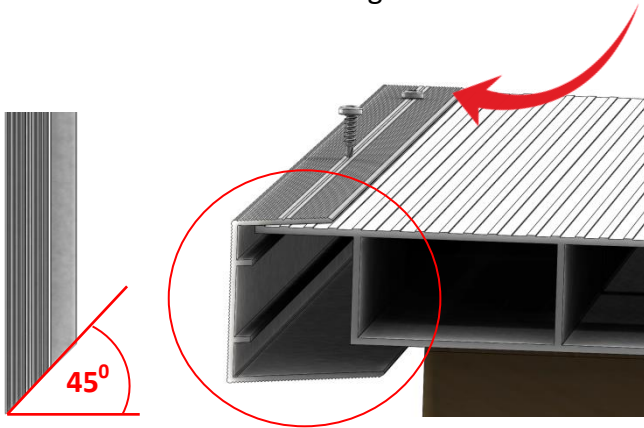
The last plank is a **P-6 CLOSED**
Cut off the gutter and offset 2''
from side of the structure.



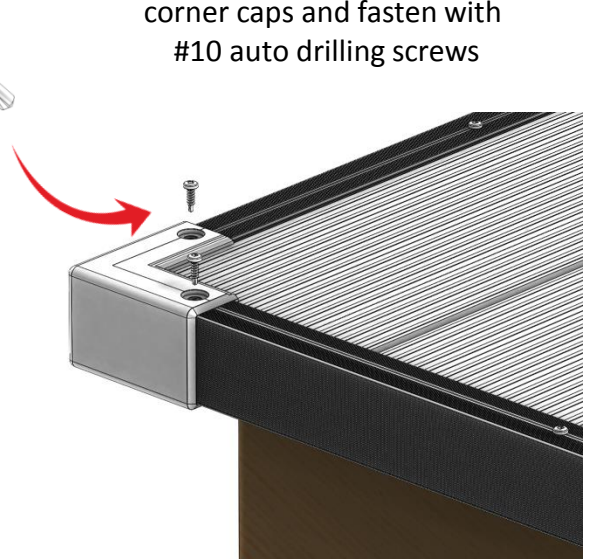
You will need to screw down the
plank from underneath using
small angle brackets.



Cut the corners of the M-2
finishing molding at 45 degrees and
fasten with #10 auto drilling screws



Add the polycarbonate
corner caps and fasten with
#10 auto drilling screws



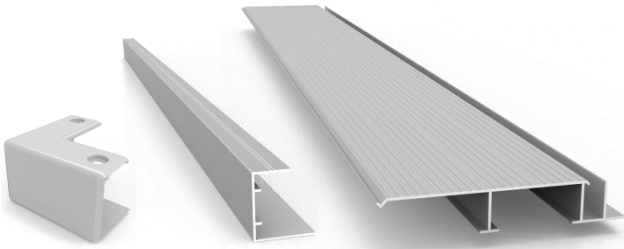
Apply caulking along the walls
to the joints between the wall
and the floor.



TIP: For overhead balcony floors
seal the inside gutter against the wall
of every plank installed



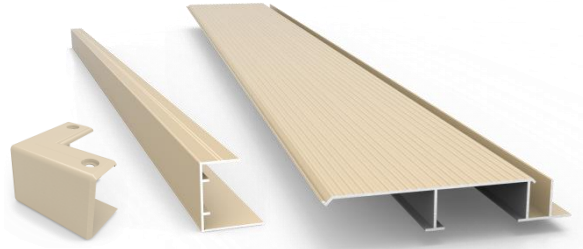
P-6 Aluminum flooring Options.



**M-2 Corner
Grey**

**M-2 Molding
Grey**

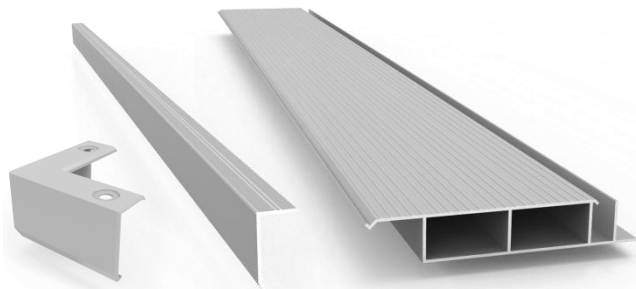
**P-6 OPEN
Floor
Grey**



**M-2 Corner
Beige**

**M-2 Molding
Beige**

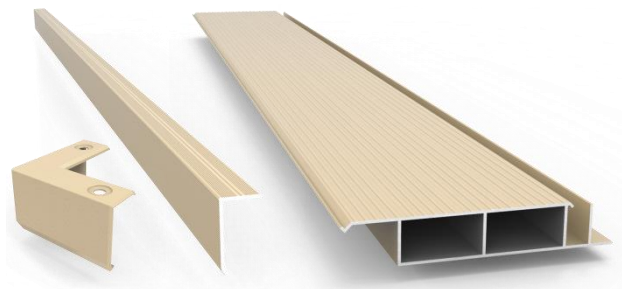
**P-6 OPEN
Floor
Beige**



**M-1 Corner
Grey**

**M-1 Molding
Grey**

**P-6 CLOSED
Floor
Grey**



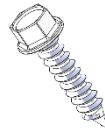
**M-1 Corner
Beige**

**M-1 Molding
Beige**

**P-6 CLOSED
Floor
Beige**



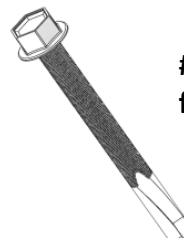
**# 10 x 1" auto drilling
screw for finishing molding**



**# 14 x 1" Coated screw
for P-6 on WOOD Structure**



**# 14 x 1 1/2" Auto Drilling for
P-6 on Aluminum Structure**



**# 14 x 2" Auto Drilling
for P-6 on Steel Structure**



**M-2 Corner
Wood Grain**

**M-2 Molding
Wood Grain**

**P-6 OPEN
Floor
Wood Grain**

Aluminum Structure Assembly for P-6 CLOSED floor.

Available colors



White



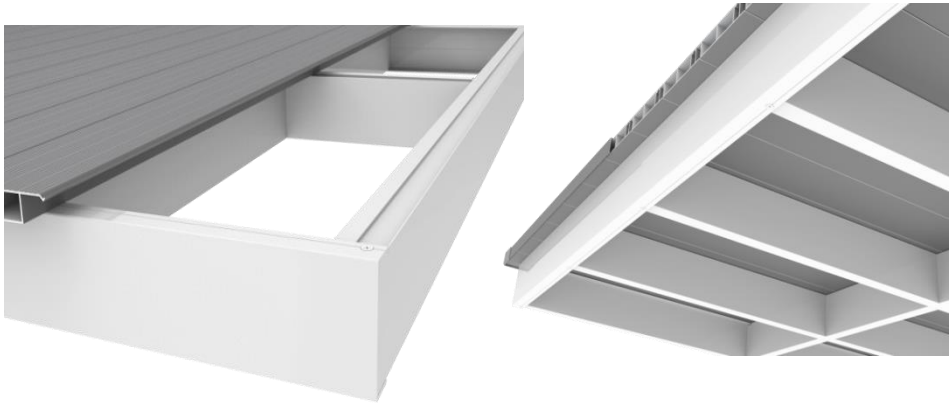
Black



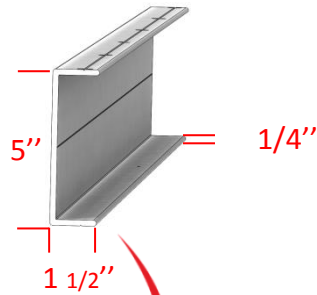
Commercial
Brown



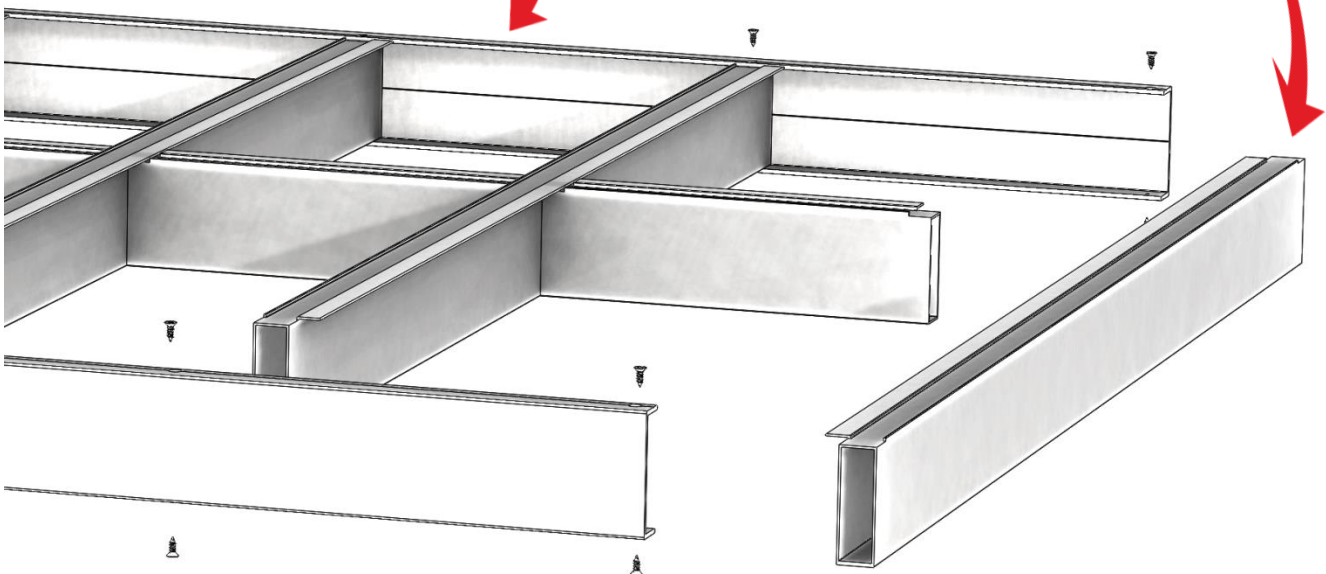
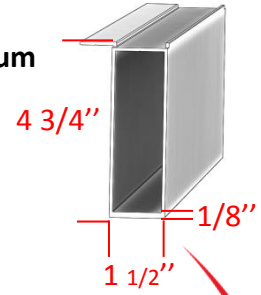
Clay



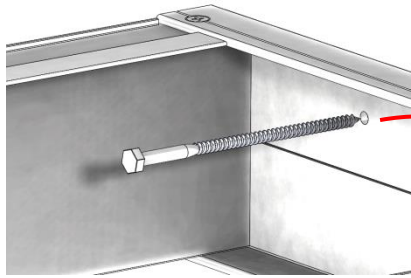
C Channel in aluminum



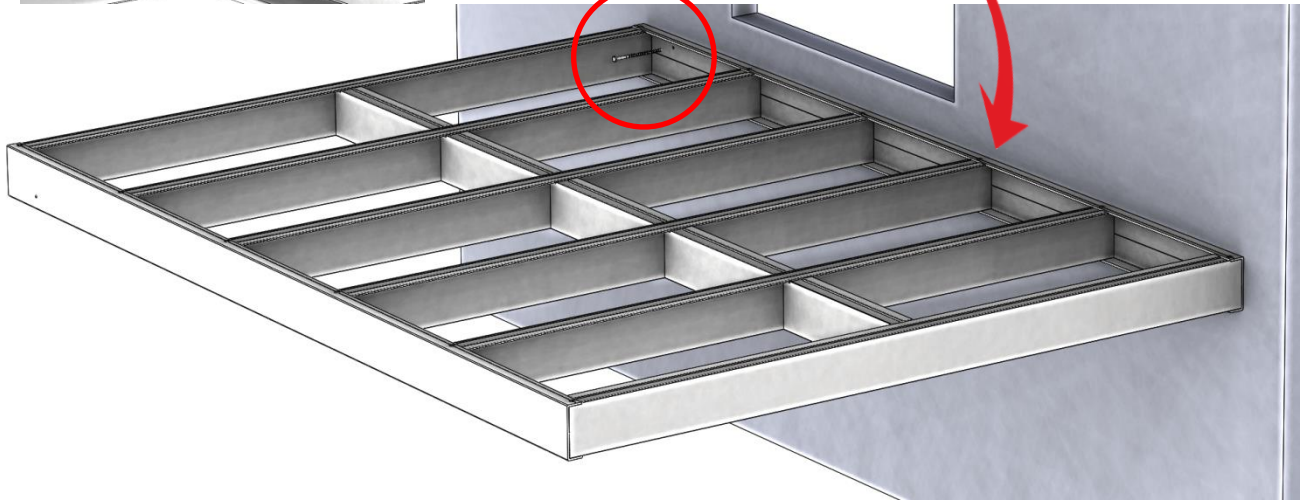
Box beam in aluminum



Aluminum Structure and P-6 CLOSED floor Installation.

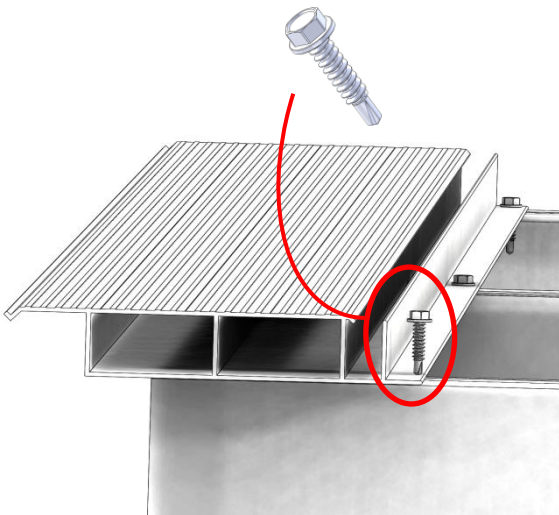


Screw the C Channel side into the wall using lag screws (1 screw per every 12'' inches)



All the same steps apply as in the previous instruction for calculating and installing the floor.

14 x 1 1/2'' Auto Drilling screw



Screw straight down into the center of the C Channel and box beam

