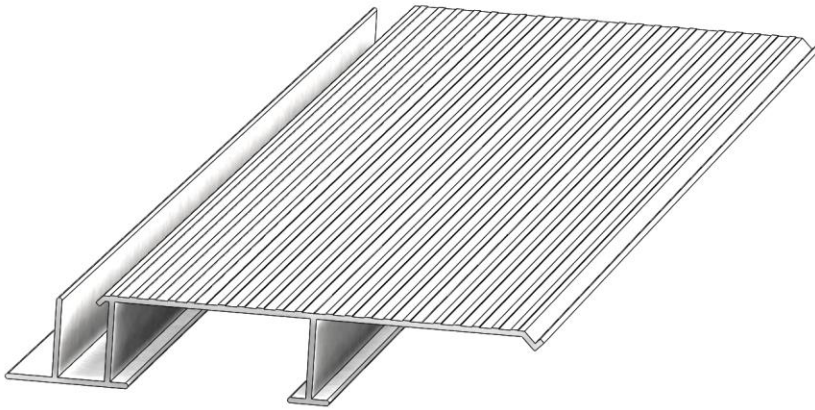
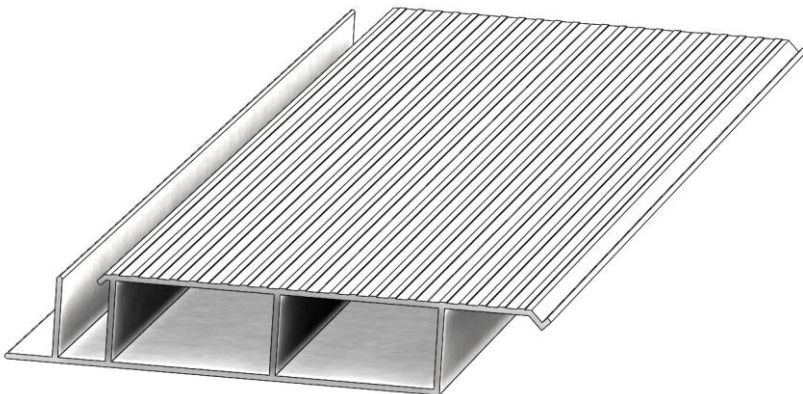


P-6 Aluminum Flooring and Aluminum Structure Guide

Product specifications
Installation Manual



P-6 OPEN



P-6 CLOSED



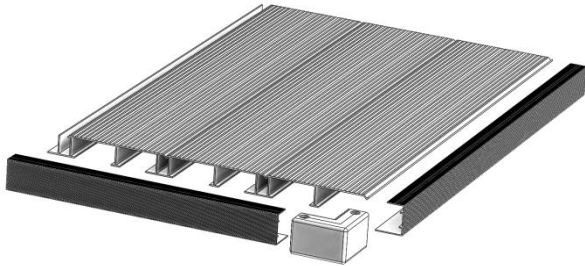
SHAPE THE FUTURE WITH ALUMINUM.

P6 Aluminum Flooring Application

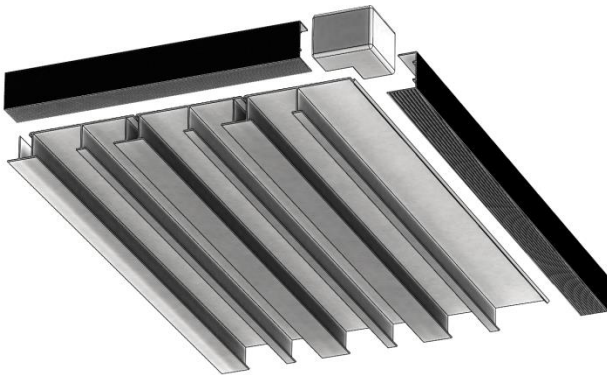
P-6 OPEN

P-6 OPEN is an economical aluminum flooring solution where the under side opening visual esthetique is of no consequence for the final finish.

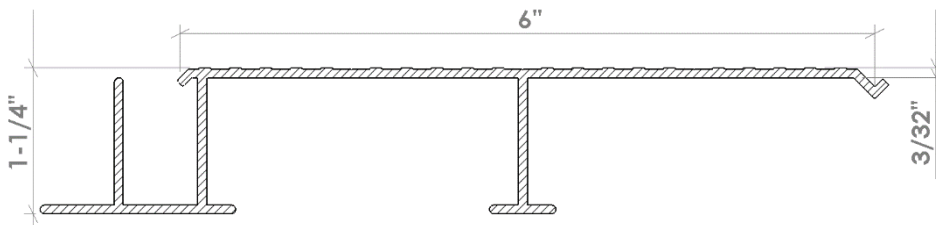
or decking no higher than 60" off the ground where the underside is not visible.



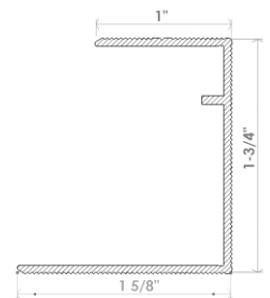
Its application is used on balconies with a soffit is installed



P-6 OPEN Dimensions



P-6 OPEN Floor



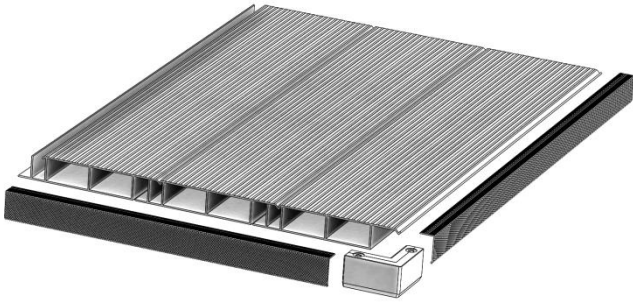
M-2 Finishing Molding

P6 Aluminum Flooring Application

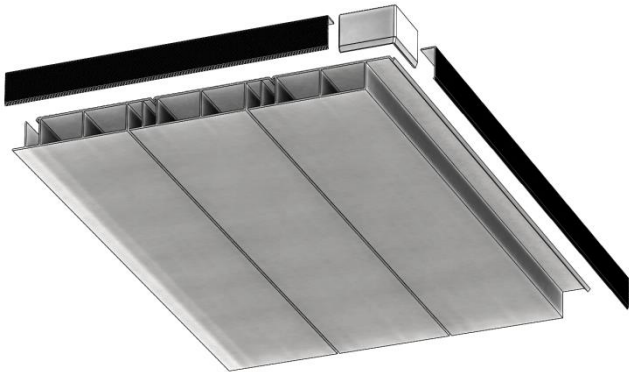
P-6 CLOSED

P-6 CLOSED is an economical aluminum flooring solution where the under side opening visual esthetique is of importance for the final finish.

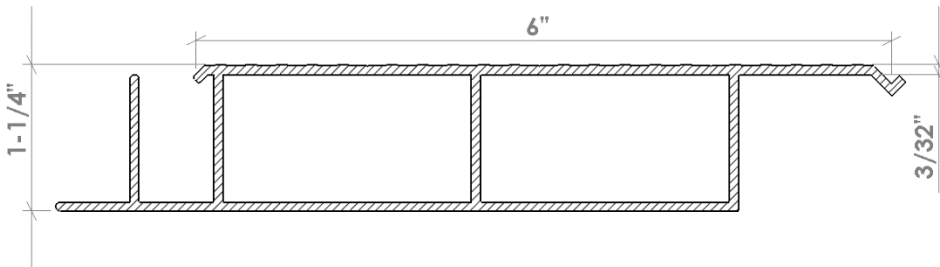
Its application is used on balconies where no underside finishing is installed



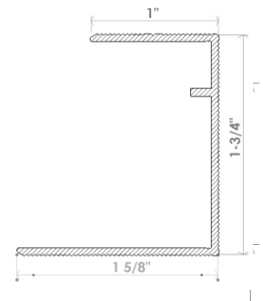
or with our ready to install aluminum framing structure.



P-6 CLOSED Dimensions



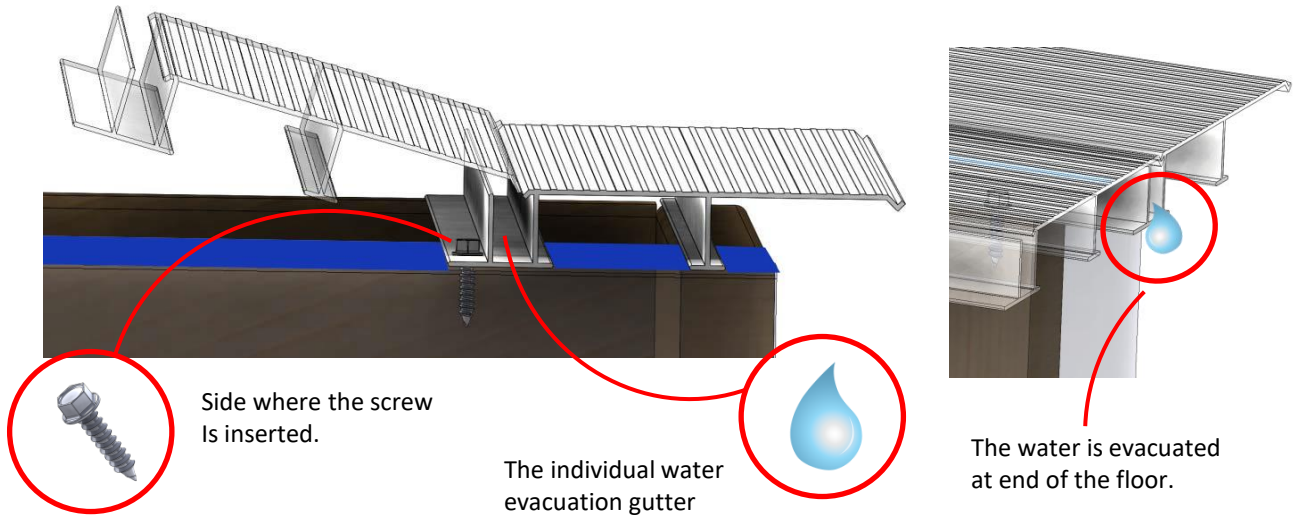
P-6 CLOSED Floor



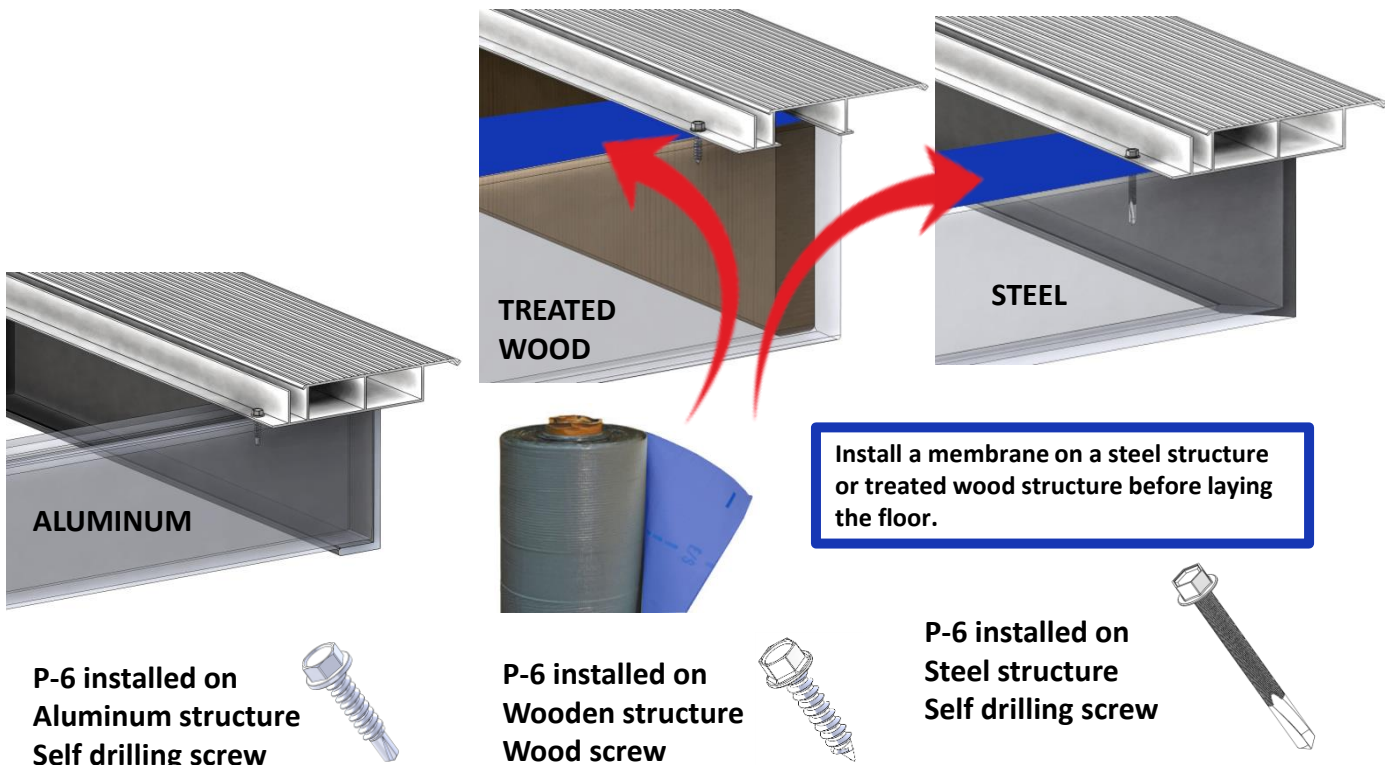
M-2 Finishing Molding

P6 Aluminum Flooring System

Each P-6 aluminum plank has its own gutter system that captures and eliminates all water from rain or melting snow. This enables our flooring system to be used in for any overhead flooring application.

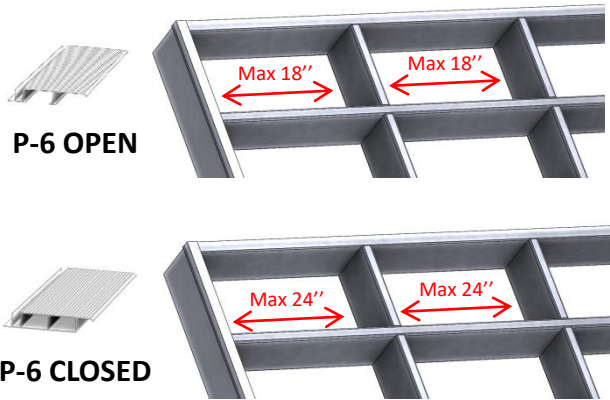


The **P-6 Aluminum** flooring can be installed directly on all types of structures without the necessity for installing any additional erosion barriers. The only difference is the screw type used in each application.

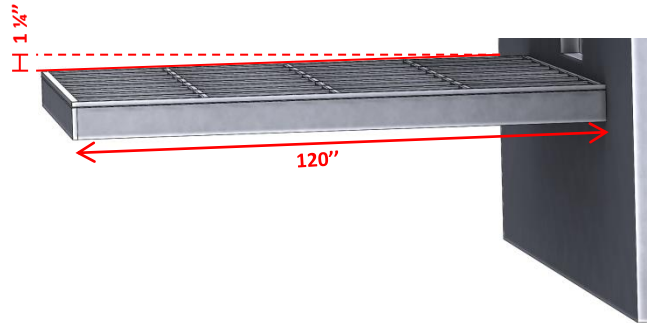


P-6 Aluminum Floor Planning Guide

STRUCTURE: Max distance between the cross members.

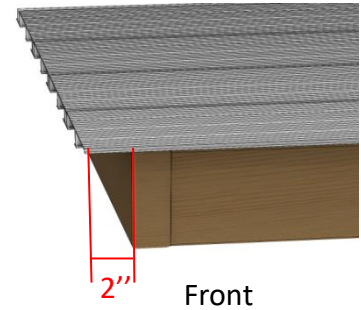
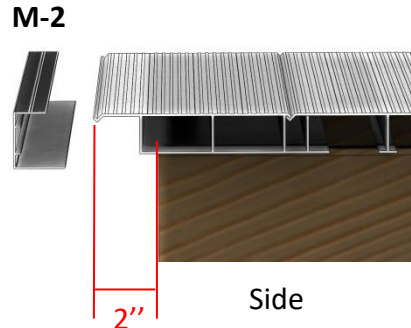
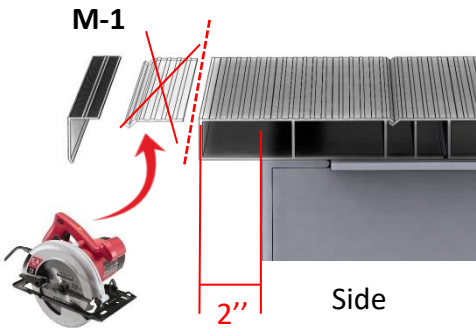


SLOPE: 1/8" per every 12"

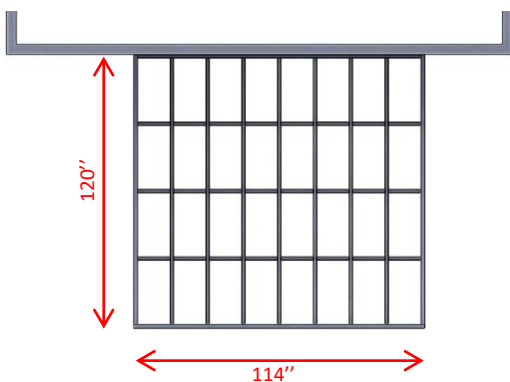


The **M-1 Finishing Molding** requires cutting the end of the **P-6 CLOSED** for a flush finish .

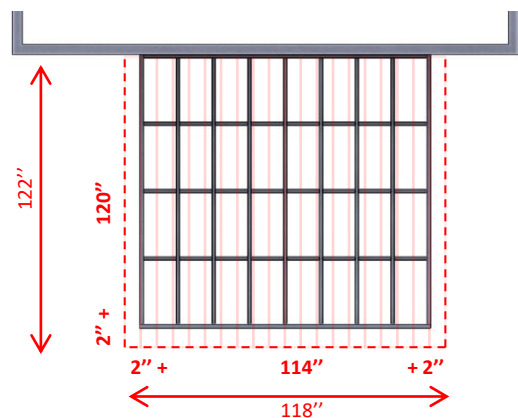
The **M-2 Finishing Molding** requires an overhang distance of 2" between the floor and the structure.



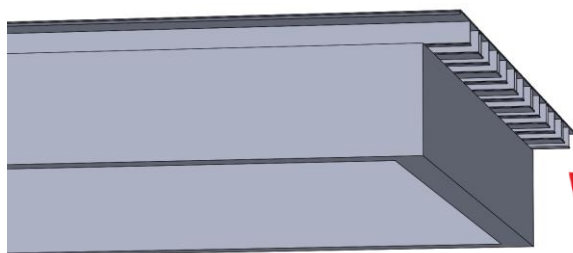
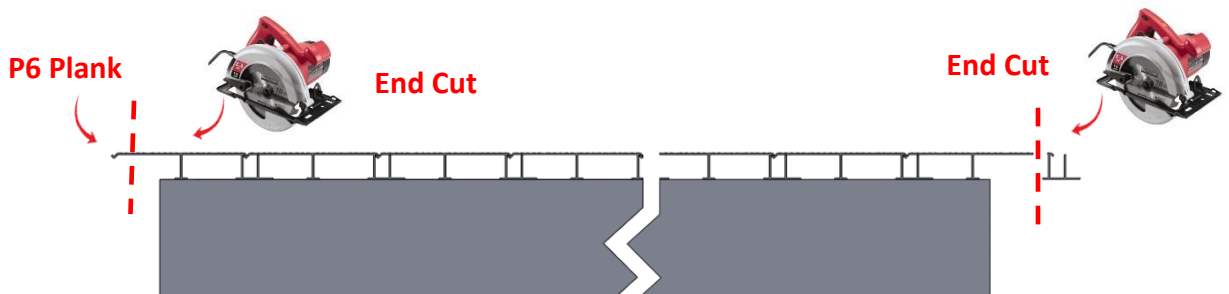
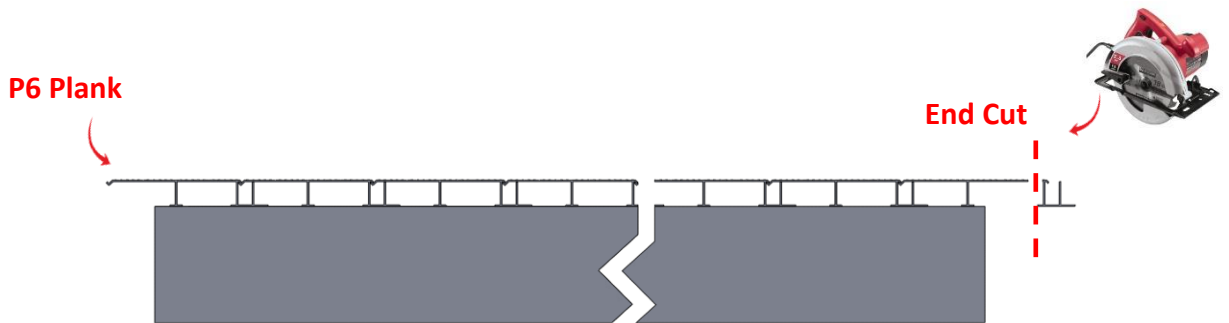
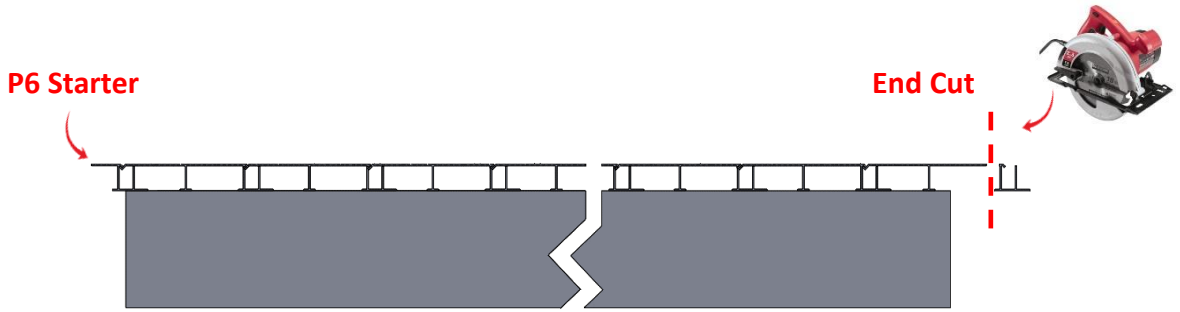
Example:
STRUCTURE: Dimensions 120" x 114"



Example:
FLOOR: Dimensions 122" x 118"



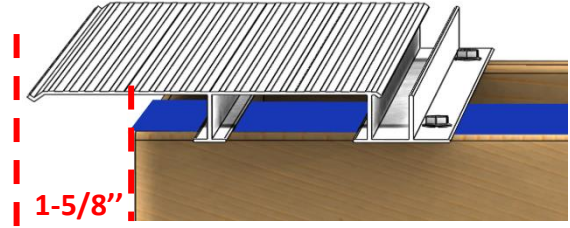
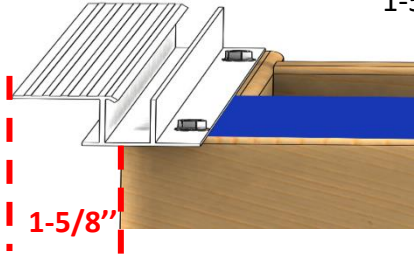
Floor installation alternatives depending on the structure's width.



NOTE: You need a Minimum of 2" overhang Front for evacuation Adequate water.

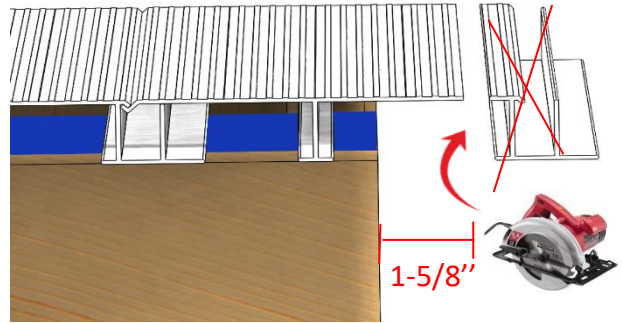
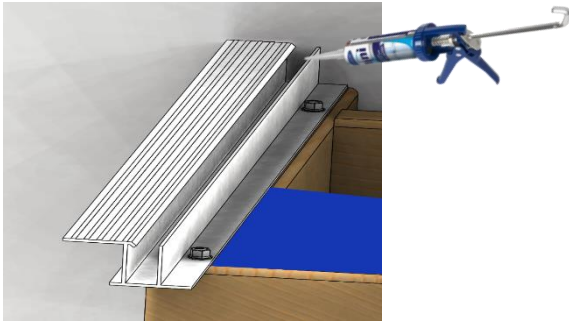
P-6 Floor Installation Guide.

Start with a P-6 Start or P-6 Open board, extending from 1-5 / 8 " on the side of the structure.



The next board is one of P-6 OPEN, you will need to apply pressure to ensure a tight fit.

Screw the board into the structure using the fixing strip which runs along the gutter of the board.

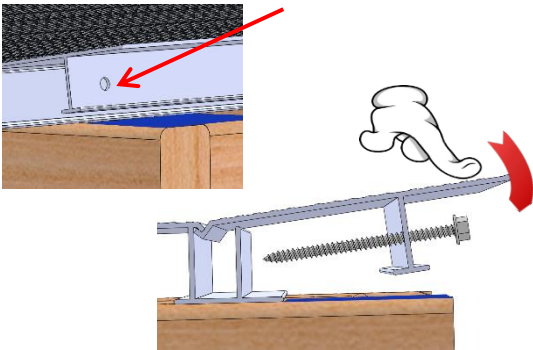


TIP: For all balconies, seal the inside of the gutter for each board installed against the wall

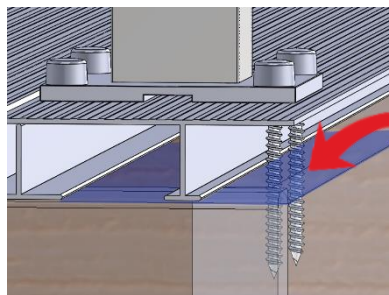
The last plank, Cut the gutter and overflow 1-5 / 8 " outside the structure.

1st and last board which not laying flat down...

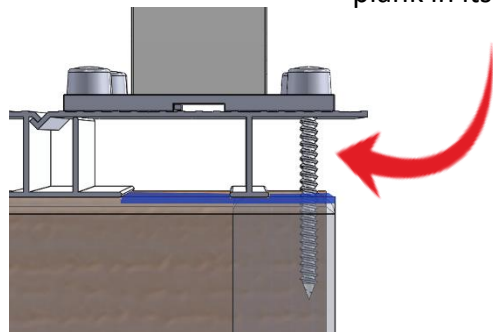
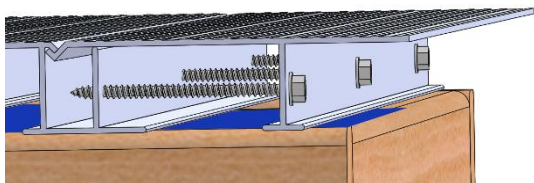
Drill a hole in the side.



Use a 3 " screw to screw into the gutter side wall.

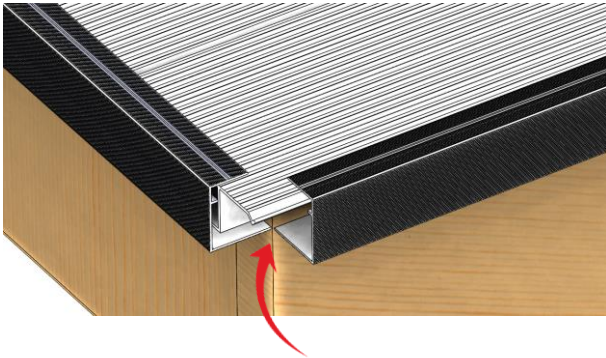
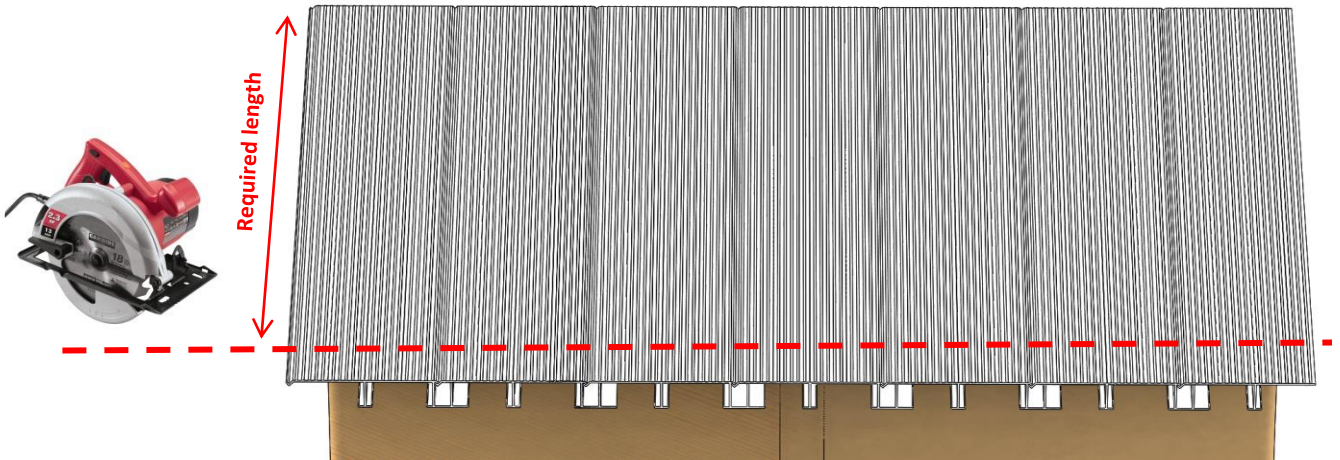


Use the post screws and screw into the structure to hold the plank in its place.

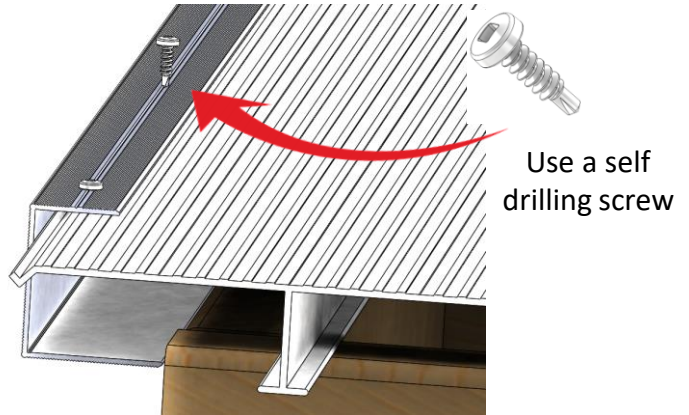


P-6 Floor Installation Guide.

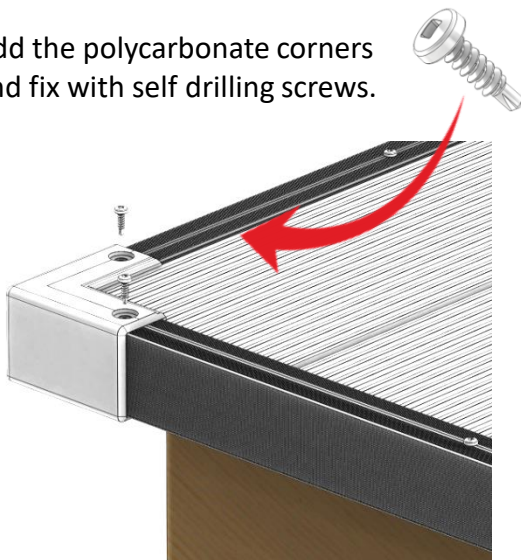
Once the floor is installed, cut the end of the floor to the desired length.



Install the moldings so the ends are touching underneath.



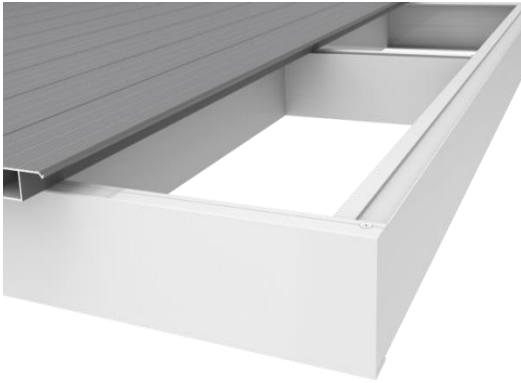
Add the polycarbonate corners and fix with self drilling screws.



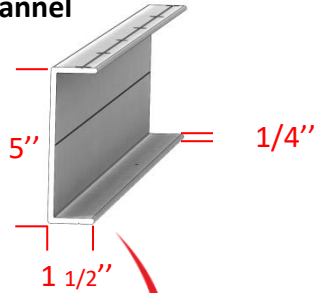
Apply caulk along the wall between the floor and wall joint.



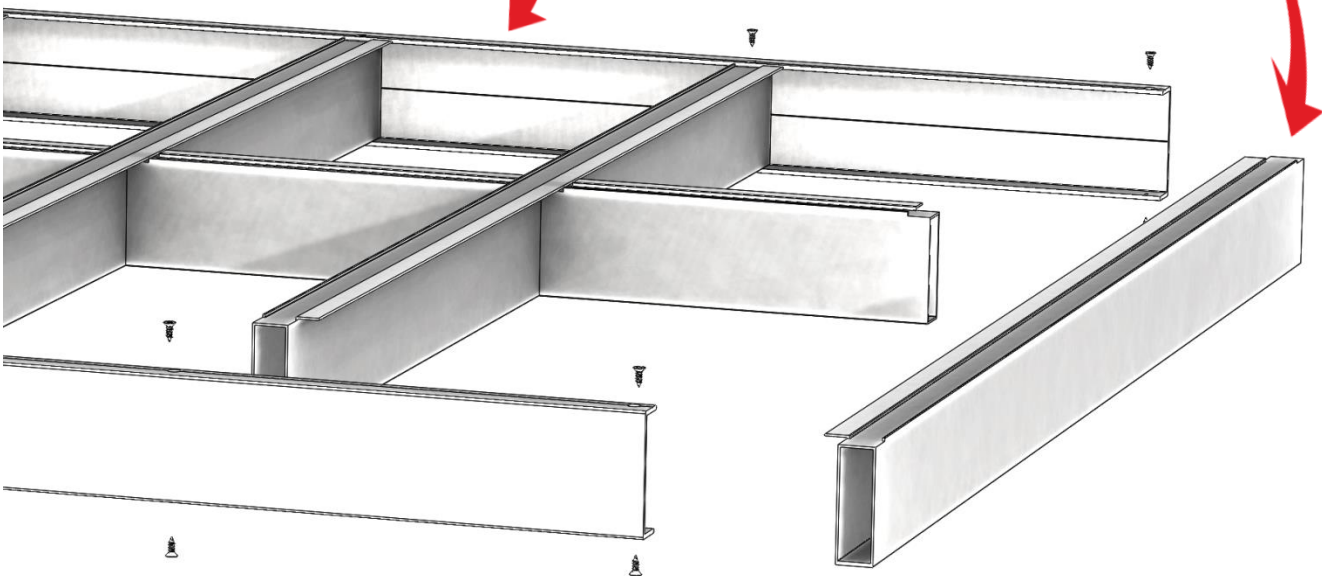
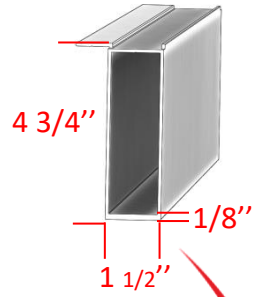
Structure assembly for closed P-6 floor



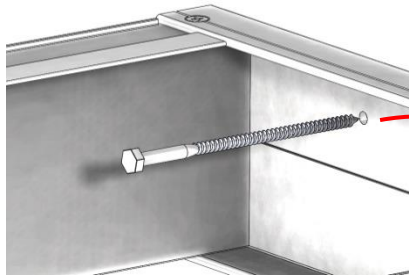
Aliminum C structure channel



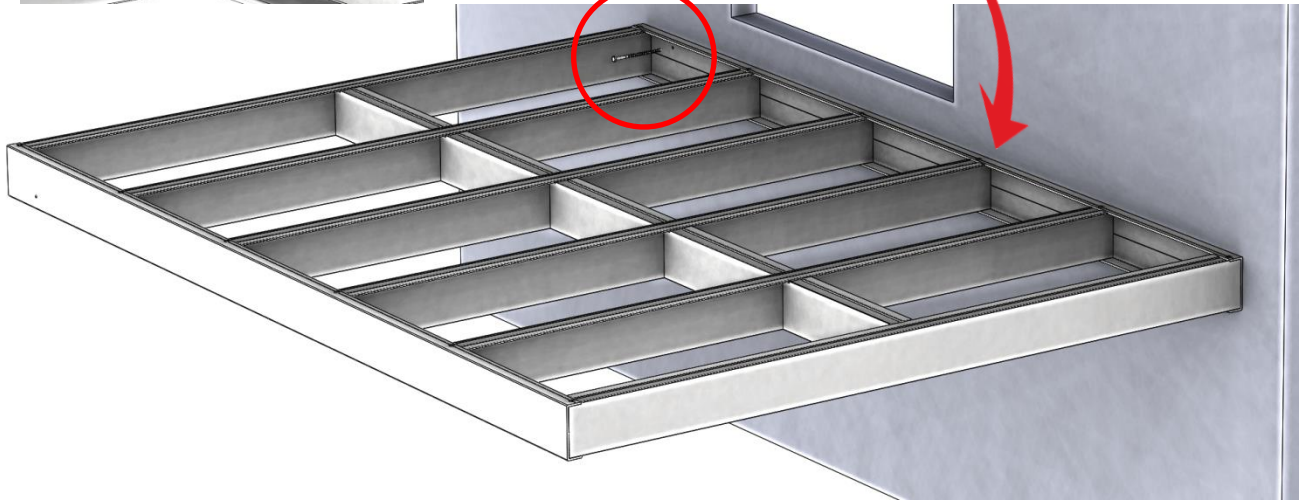
Aluminum joist



Aluminum Structure and P-6 CLOSED floor Installation.

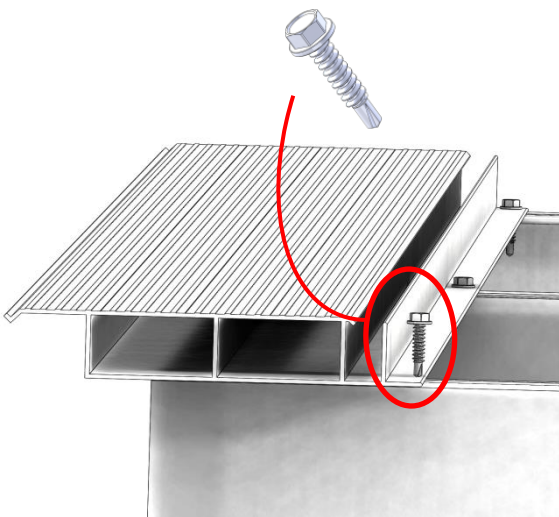


Screw the C Channel side into the wall using lag screws (1 screw per every 12'' inches)



All the same steps apply as in the previous instruction for calculating and installing the floor.

14 x 1 1/2'' Auto Drilling screw



Screw straight down into the center of the C Channel and box beam



Self drilling screw for P-6 on Aluminum structure

Options Planchers & Aluminium P-6 .

